



Trims

Trim Options

Trims offer a subtle and clean aesthetic solution to tile edges at perimeters and penetration points. SAS border and perimeter trims are designed to accommodate our full range of suspended ceiling systems.

Channel Trims

Channel trims are used to support and mask the cut edges of ceiling tiles in an attractive manner. Wedges hold the tile edge tightly in place to give a clean finish.

Shadow Gap Trims

Shadow gap details are best applied to perimeters to offer a sharp clean edge to otherwise uneven vertical surfaces.

Threaded Trims

Threaded trims are designed to match the M6 thread-form details of Alugrid-Q and are used on full tile perimeter details

Angle Trims

Angle trims are used on full tile perimeter conditions where regular access is required. They are also typically used on one side of a corridor.

Floating / Suspended Trims

Floating trims offer a clean finish when you cannot fix to an available structure or transom, or where ceiling edges are exposed.

Transition Trims

Transition trims allow for the effective join between a suspended metal ceiling with a plasterboard surround. Also available with a shadow gap detail, the transition trim range provides options for all standard suspended metal ceiling systems.

Plasterboard Trims

A plasterboard margin can provide an attractive feature to a suspended ceiling and minimises the need for cut tiles. This solution is particularly effective for irregular perimeters, corridors and small cellular spaces with existing structural walls.

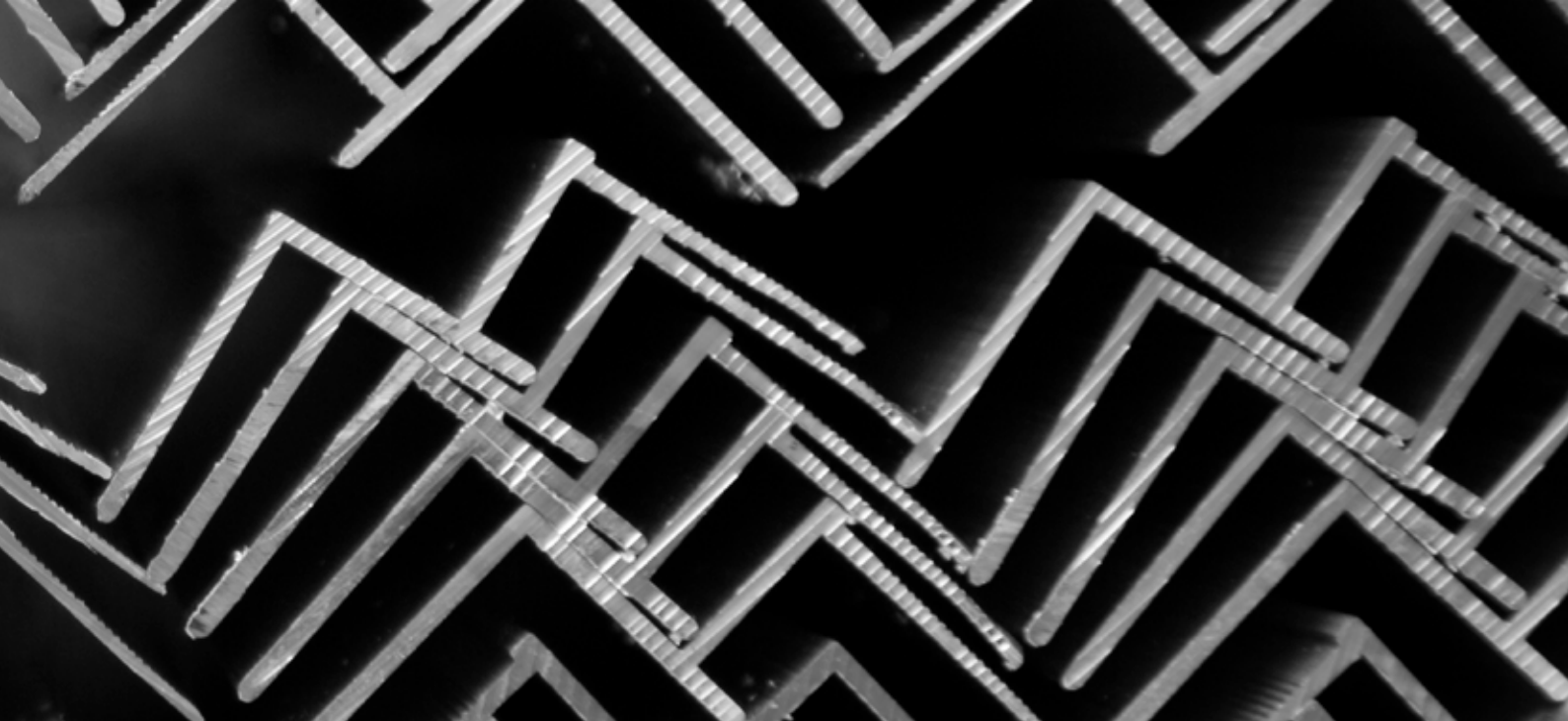
Column Rings

Perimeter trims and shadow gap sections can be rolled to form column rings to match perimeter details. Rectangular column trims can also be supplied prefabricated in halves for easy on-site installation.

Radiused Trims

Perimeter trims and shadow gap sections can also be rolled to form radiused profiles to match perimeter details.

When specifying or ordering any radiused trim it is necessary to indicate whether the trim required is Toe-In or Toe-Out.

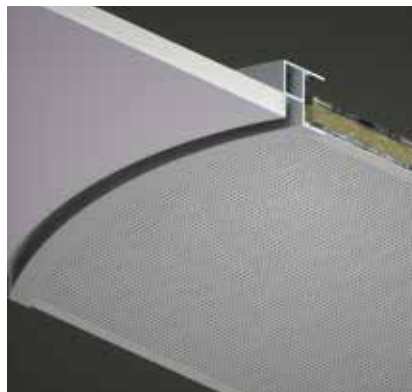


1. Toe-In and Toe-Out | Metal Tile to Plasterboard Trim

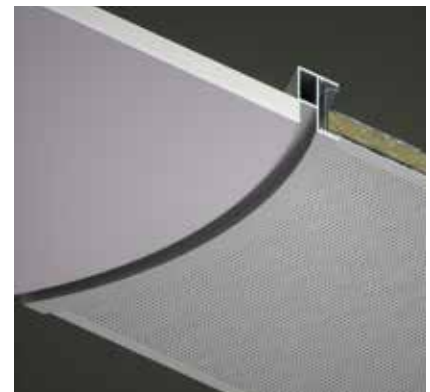
Toe-In The C-channel that accepts the cut tile is rolled in towards the tiles and rolled away from the plasterboard.

Toe-Out The C-channel is rolled away from the metal tile and rolled in towards the plasterboard.

Toe In



Toe Out



2. Toe-in and Toe-out | Plasterboard Perimeter Trim with no Metal Tile

In the case of plasterboard perimeter trims where no metal tiles are used, the plasterboard determines the toe.

Toe-In The plasterboard support edge is rolled in towards the plasterboard.

Toe-Out The plasterboard support edge is rolled away from the plasterboard.

Toe In



Toe Out



3. Toe-in and Toe-out | Radiused Trims

Where a radiused trim contacts a metal ceiling tile, the side that accepts the tile determines the toe. This can be either tile perimeter trims or tile to plasterboard trims.

Toe-In The C-channel that accepts the cut metal tile is rolled in towards the metal tiles.

Toe-Out The C-channel is rolled away from the metal tiles.

Toe In



Toe Out



Trims | Table

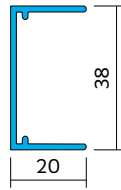
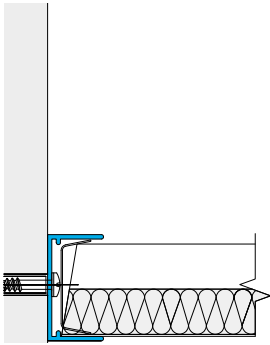
Trim	Item no	Description	Compatible Systems											Colour		Page			
			SAS120	SAS130	SAS140	SAS150	SAS170	SAS200	SAS205	SAS310	SAS320	SAS330	SAS335	SAS380	Trucell		Suitable for curving	RAL 9010	RAL 9016
CHANNEL TRIMS FOR METAL CEILING																			
TCA 0108	10541	20mm Channel Trim																•	220
TCA 0110	10543	20mm Extended Leg Channel Trim																•	220
TCA 0124	10546	15mm Shadow Gap 20mm Channel Trim																•	220
FAB 0124	N/A	15mm Shadow Gap 20mm Channel Trim Fabricated																•	221
TCA 0128	10548	20mm Shadow Gap 20mm Channel Trim																•	221
FAB 0128	N/A	20mm x 20mm Shadow Gap 20mm Channel Trim Fabricated																•	221
FAB 0133	N/A	25mm Shadow Gap 20mm Channel Trim Fabricated																•	222
TCA 0109	10542	20mm Extended Top Leg Channel Trim																•	222
ANGLE TRIMS FOR METAL, OPEN CELL AND MINERAL FIBRE CEILING																			
TCA 0101	10538	15mm Perimeter Angle Trim																•	223
TCA 0105	10539	20mm Perimeter Angle Trim																•	223
TCA 0107	10540	20mm Extended Leg Perimeter Angle Trim																•	223
TCA 0864	334209	90mm Extended Leg Closure Angle																•	224
TCA 0113	10544	25mm Perimeter Angle Trim																•	224
TCA 0123	10545	15mm Shadow Gap 20mm Angle Trim																•	224
TCA 0127	10547	20mm Shadow Gap 20mm Angle Trim																•	225
METAL TILE TO PLASTERBOARD TRIMS																			
TRU-MJ-150	10586	Feathered Cut Metal Tile to Plasterboard Trim																•	226
TRU-SJ-150	10580	Feathered Cut Metal Tile to Plasterboard 15mm Shadow Gap Trim																•	226
FAB-SJ-150	N/A	Feathered Cut Metal Tile to Plasterboard 15mm Shadow Gap Trim Fabricated																•	226
TRU-SH-150	14224	Feathered Full Metal Tile to Plasterboard 15mm Shadow Gap Trim																•	227
TRU-KB-150	274106	Feathered Full Metal Tile to Plasterboard Trim																•	227
TCA 0144	14075	Full Metal Tile to Plasterboard 20mm Shadow Gap Trim																•	227
TRU-SS-150	10581	SAS150 Feathered Full Tile to Plasterboard Trim																•	228
TRU-SG-150	10582	SAS150 Feathered Full Tile to Plasterboard 15mm Shadow Gap Trim																•	228
TRU-TJ-330	14223	SAS330 Feathered Full Tile to Plasterboard Trim																•	228
TRU-DW-330	272083	SAS330 Feathered Full Tile to Plasterboard Trim																•	229
TRU-PB-330	10588	SAS330 Feathered Full Tile to Plasterboard 15mm Shadow Gap Trim																•	229
TRU-LK-330	14232	SAS330 Full Tile to Plasterboard 15mm Shadow Gap Trim																•	229
TRU-SJ-330	10587	SAS330 Full Tile to Plasterboard 15mm Shadow Gap Trim																•	230
TRU-SL-330	187502	SAS330 Plasterboard Shadow Gap Closure Trim																•	230
SAS130 TO PLASTERBOARD TRIMS																			
TRU-SJ-1508	222704	SAS130 Feathered Full Tile to Plasterboard 15mm Shadow Gap Trim (Plain to Suit Q15/08)																•	231
TRU-SJ-T1508	22435	SAS130 Feathered Full Tile to Plasterboard Trim (T15)																•	231
TRU-SJ-T1516	10591	SAS130 Feathered Full Tile to Plasterboard Trim (T15)																•	231
TRU-SJ-1516	10570	SAS130 Full Metal Tile to Plasterboard 15mm Shadow Gap Trim (Threaded to Suit Q15/16 & Q15/19)																•	232
TRU-TJ-1516	10584	SAS130 Full Metal Tile to Plasterboard Trim (Threaded to Suit Q15/16 & Q15/19)																•	232
TRU-TJ-P1508	22437	SAS130 Full Metal Tile to Plasterboard Trim (Plain to Suit P15/08)																•	232
TRU-TJ-1508	14201	SAS130 Full Metal Tile to Plasterboard Trim (Threaded to Suit Q15/08)																•	233
TRU-SW-1508	196059	SAS130 Full Metal Tile to Plasterboard 15mm Shadow Gap Trim (Plain to Suit P15/08)																•	233
TRU-SW-1516	10699	SAS130 Full Metal Tile to Plasterboard 15mm Shadow Gap Trim (Plain to Suit P15/16)																•	233
PLASTERBOARD EDGE TRIMS																			
FAB-ST-150	N/A	15mm Shadow Gap Plasterboard Trim Fabricated																•	234
TCA 0152	10552	Plasterboard Perimeter Trim																•	234
TCA 0153	10553	Bevelled Plasterboard Perimeter Trim																•	234
TCA 0155	10555	15mm x 15mm Shadow Gap Plasterboard Trim																•	235
TRU-PT-250	10585	25mm Feathered Extended Leg Plasterboard Trim																•	235
TRU-ST-150	10579	15mm Shadow Gap Plasterboard Trim																•	235
BULKHEAD TRIMS																			
TCA 0169	10697	Cut Metal Tile to Vertical Plasterboard Bulkhead Trim																•	236
TCA 0173	10557	Cut Metal Tile to Vertical Plasterboard Bulkhead Trim																•	236
TCA 0219	10564	Full Metal Tile to Vertical Plasterboard Trim																•	236
TCA 1203	59956	SAS150 Full Tile Closure Detail																•	237
TCA 2111	266551	15mm Shadow Gap 20mm Angle Trim																•	237
TRU-CJ-330	192042	SAS330 Shadow Gap Trim																•	237

Trim	Item no	Description	Compatible Systems											Colour		Page			
			SAS120	SAS130	SAS140	SAS150	SAS170	SAS200	SAS205	SAS310	SAS320	SAS330	SAS335	SAS380	Trucell		Suitable for curving	RAL 9010	RAL 9016
MITRE JUNCTION TRIMS																			
TCA 0215	14091	Cut Metal Tile 40mm Mitre Junction Trim																•	238
TCA 0310	10565	Cut Metal Tile 100mm Mitre Junction Trim																•	238
LINEAR GRID TRIMS																			
TCA 0313	14105	Threaded C-Profile 50mm wide																•	239
TCA 0314	14110	Threaded C-Profile 40mm wide																•	239
TCA 1182	22428	C-Profile 40mm wide																•	239
SAS330 TRIMS																			
TCA 0862	299794	SAS330 Full Tile Closure Detail																•	240
TCA 0637	256239	SAS330 Full Tile Closure Detail																•	240
TCA 1136	14136	SAS330 Full Metal Tile to Vertical Plasterboard Perimeter Trim,15 mm Shadow Gap																•	240
SAS FLOATING EDGE TRIMS																			
TCA 0861	299189	Floating Edge detail - Closure																•	241
TCA 0860	288652	Snap-In Edge detail - Cut/Full Tile Trim																•	241
TRU-HM-100	288449	Snap-In Edge detail - Plasterboard Trim																•	241
TCA 1300	288655	Snap-In Edge detail - SAS130																•	242
TCA 1301	288656	Snap-In Edge detail - SAS330																•	242
BLIND BOX TRIMS																			
TCA 0312	14103	100mm Blind Box Channel Trim																•	243
TCA 0317	22427	100mm Blind Box Angle Trim																•	243
TCA 1147	14139	98mm Blind Box Plasterboard Trim																•	243
TCA 0863	288448	100x110mm Snap-In Blind Box																•	244
DRY LINING TRIMS																			
TRU-ET-125	10575	12.5mm Edge Trim																	245
TRU-ET-150	10576	15mm Edge Trim																	245
TRU-ET-250	10577	25mm Edge Trim																	245
TRU-RT-125	10571	12.5mm Reveal Trim																	246
TRU-RT-150	10578	15mm Reveal Trim																	246
TRU-SK-25	14174	25mm Recessed Skirting Trim																	246
TRU-VD-1250	14220	Variable Depth Edge Trim (15mm - 125mm)																	247
GRAVITY BATON TRIM																			
TCA 0507	371489	"Z" Shape Profile for Hook On Tiles																	248

Trims | Channel

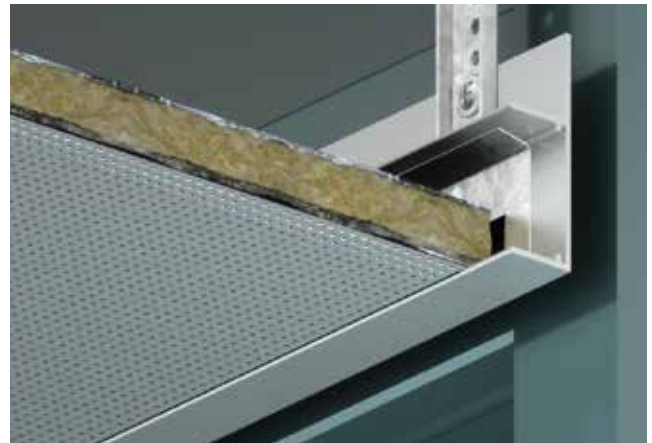
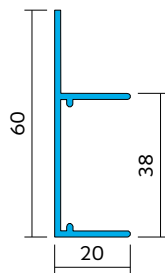
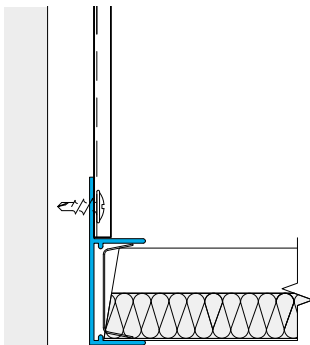
TCA 0108*

Size **20mm Channel Trim**
Item No **10541**
Length (mm) **3000**
Accessories **TCP90, TCP180, Perimeter Wedge**



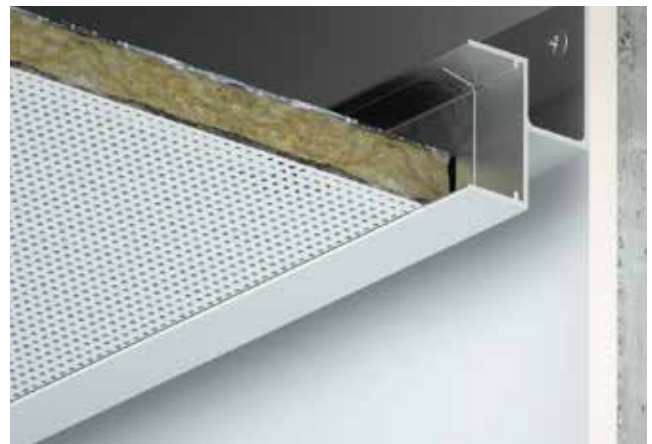
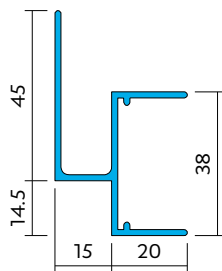
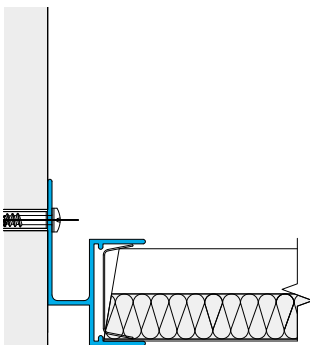
TCA 0110*

Size **20mm Extended Leg Channel Trim**
Item No **10543**
Length (mm) **3000**
Accessories **TCP90, TCP180, Perimeter Wedge**



TCA 0124*

Size **15mm Shadow Gap, 20mm Channel Trim**
Item No **10546**
Length (mm) **3000**
Accessories **TCP90, TCP180, Perimeter Wedge**



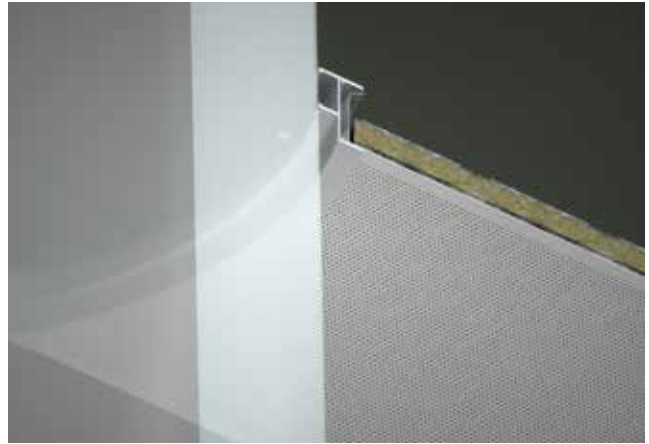
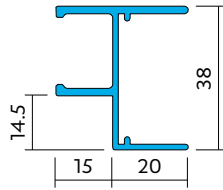
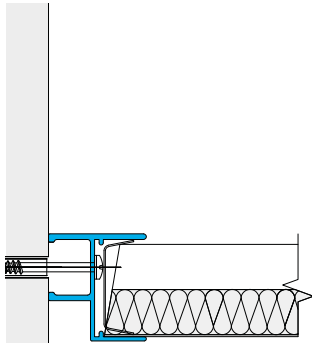
All dimensions are in mm.

*Can also be manufactured as radiused trim for column rings.

Trims | Channel

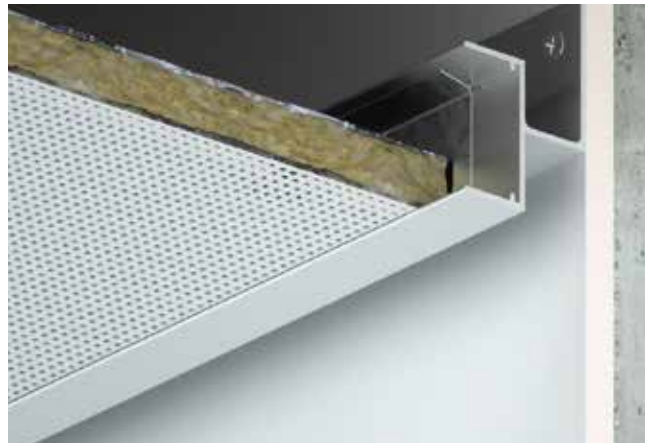
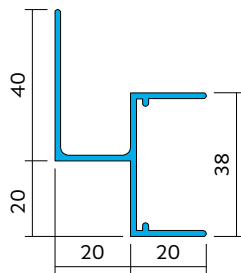
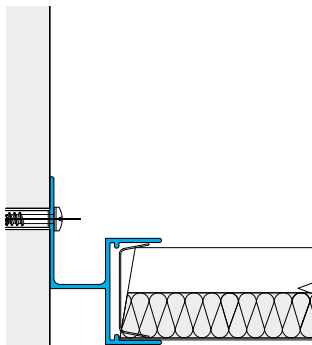
FAB 0124

Size **15mm Shadow Gap, 20mm Channel Trim Fabricated**
Item No **N/A**
Length (mm) **3000**
Accessories **TCP90, TCP180, Perimeter Wedge**



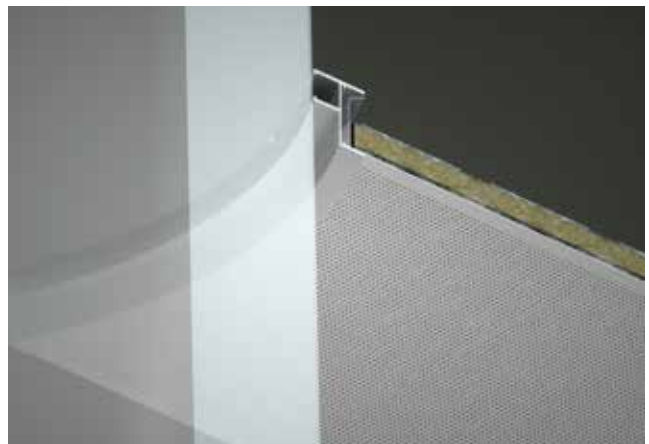
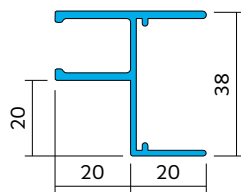
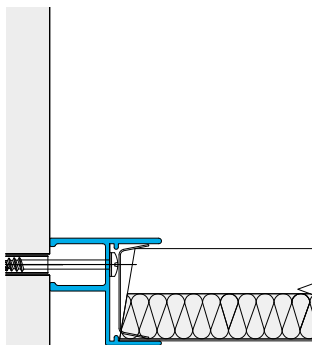
TCA 0128*

Size **20mm Shadow Gap, 20mm Channel Trim**
Item No **10548**
Length (mm) **3000**
Accessories **TCP90, TCP180, Perimeter Wedge**



FAB 0128

Size **20mm Shadow Gap, 20mm Channel Trim**
Item No **N/A**
Length (mm) **3000**
Accessories **TCP90, TCP180, Perimeter Wedge**



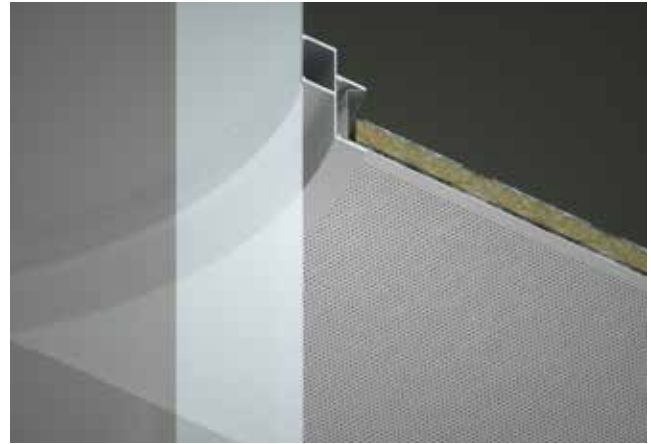
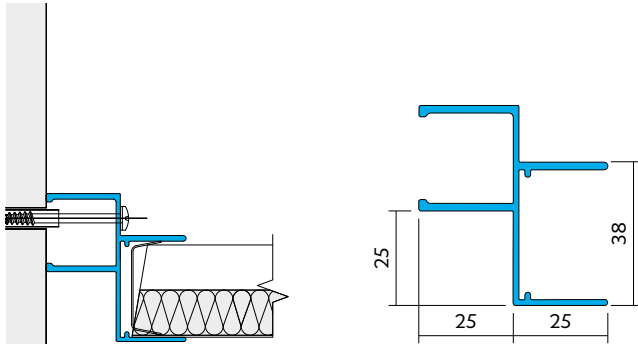
*Can also be manufactured as radiused trim for column rings.

All dimensions are in mm.

Trims | Channel

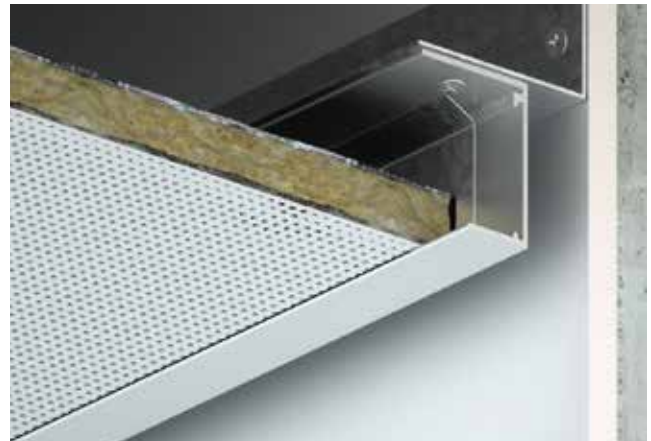
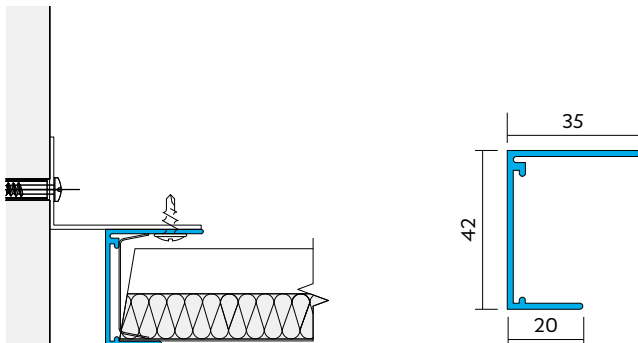
FAB 0133

Size **25mm Shadow Gap, 20mm Channel Trim Fabricated**
Item No **N/A**
Length (mm) **3000**
Accessories **TCP90, TCP180, Perimeter Wedge**



TCA 0109

Size **20mm Extended Top Leg Channel Trim**
Item No **10542**
Length (mm) **3000**
Accessories **TCP90, TCP180, Perimeter Wedge (266788)**

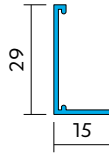
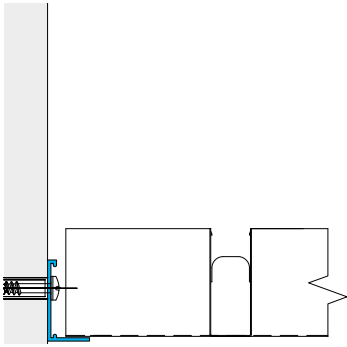


All dimensions are in mm.

Trims | Angle

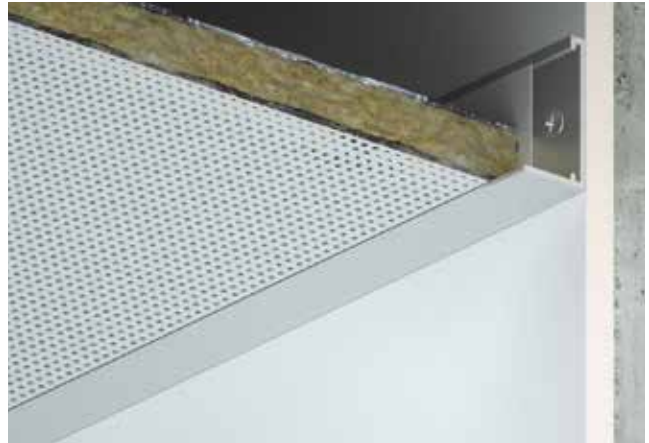
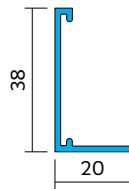
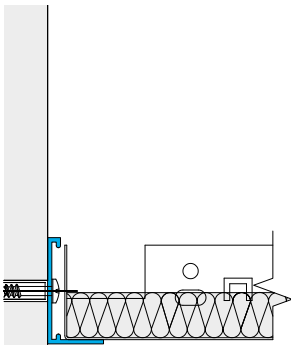
TCA 0101*

Size **15mm Perimeter Angle Trim (Trucell)**
Item No **10538**
Length (mm) **3000**
Accessories **TCP90s, TCP180s**



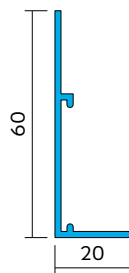
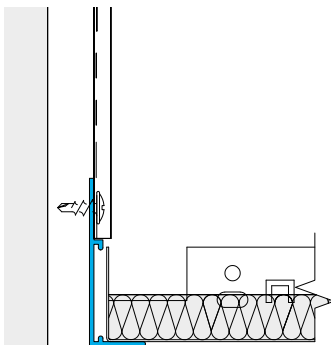
TCA 0105*

Size **20mm Perimeter Angle Trim**
Item No **10539**
Length (mm) **3000**
Accessories **TCP90, TCP180, TCP360**



TCA 0107

Size **20mm Extended Leg Perimeter Angle Trim**
Item No **10540**
Length (mm) **3000**
Accessories **TCP90, TCP180, TCP360**



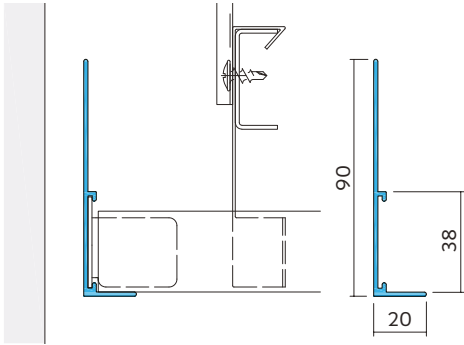
*Can also be manufactured as radiused trim for column rings.

All dimensions are in mm.

Trims | Angle

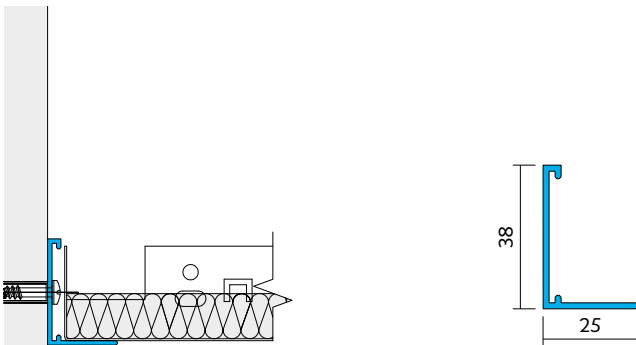
TCA 0864

Size **90mm Extended Leg Closure Angle**
Item No **334209**
Length (mm) **3000**
Accessories **TCP90, TCP180, TCP 90s (to be used only with linear trims)**



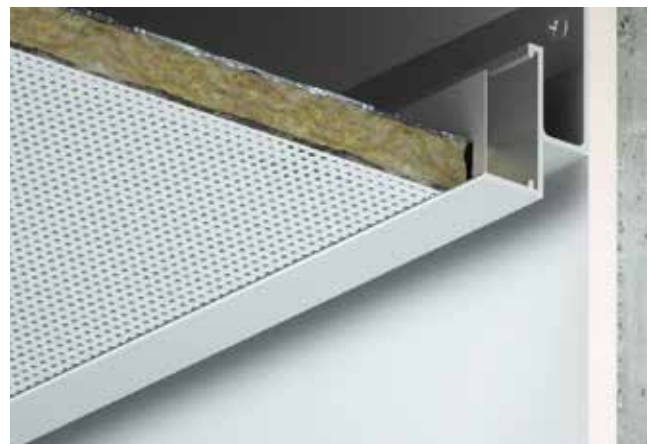
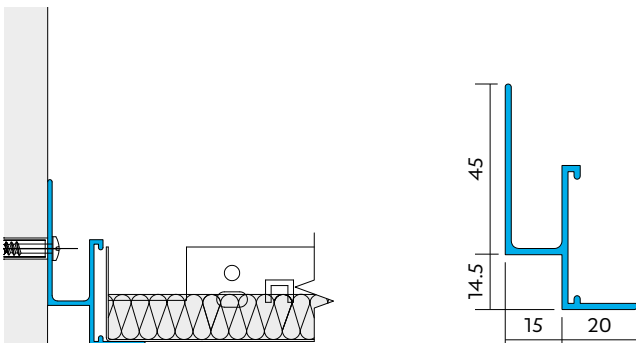
TCA 0113

Size **25mm Perimeter Angle Trim**
Item No **10544**
Length (mm) **3000**
Accessories **TCP90, TCP180, TCP360**



TCA 0123*

Size **15mm Shadow Gap, 20mm Angle Trim**
Item No **10545**
Length (mm) **3000**
Accessories **TCP90, TCP180, TCP360**



All dimensions are in mm.

*Can also be manufactured as radiused trim for column rings.

Trims | Angle

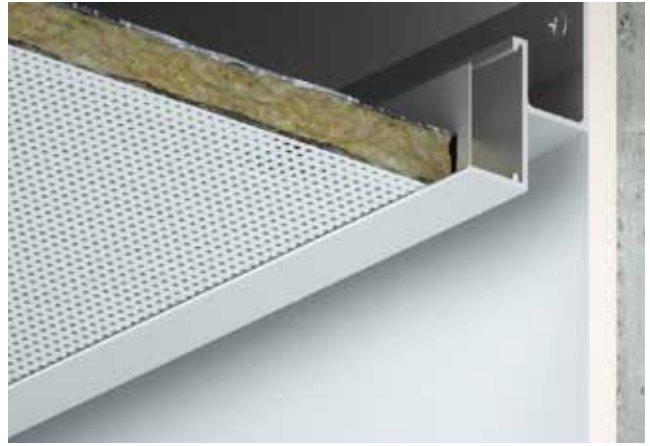
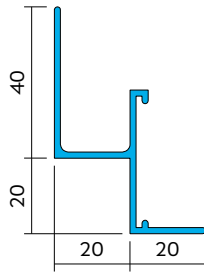
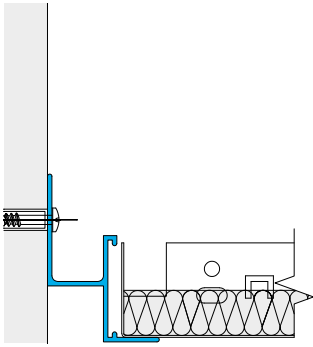
TCA 0127*

Size **20mm Shadow Gap, 20mm Angle Trim**

Item No **10547**

Length (mm) **3000**

Accessories **TCP90, TCP180, TCP360**



Trims | Plasterboard

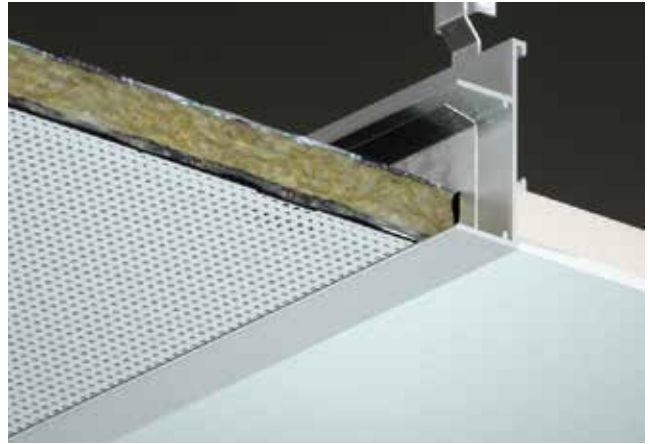
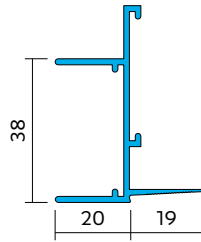
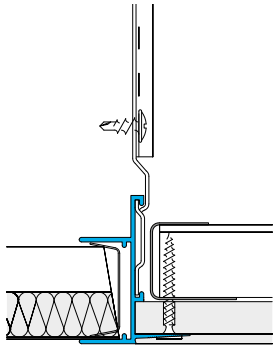
TRU MJ 150

Feathered Cut Metal Tile to Plasterboard Trim

Item No **10586**

Length (mm) **3000**

Accessories **TCB01, TCB08, TCP90, TCP180, TCP360, Perimeter Wedge**



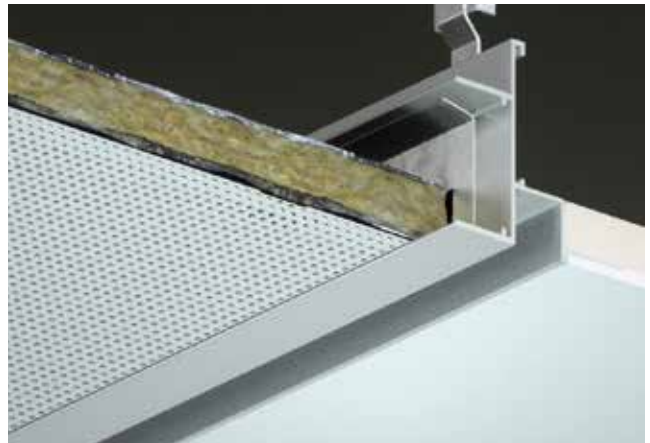
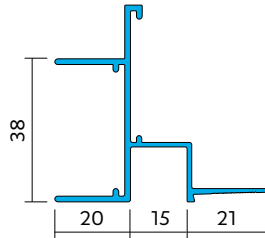
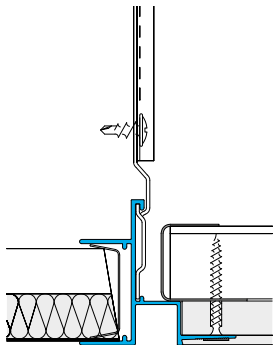
TRU SJ 150

Feathered Cut Metal Tile to Plasterboard, 15mm Shadow Gap Trim

Item No **10580**

Length (mm) **3000**

Accessories **TCB01, TCB08, TCP90, TCP180, TCP360, Perimeter Wedge**



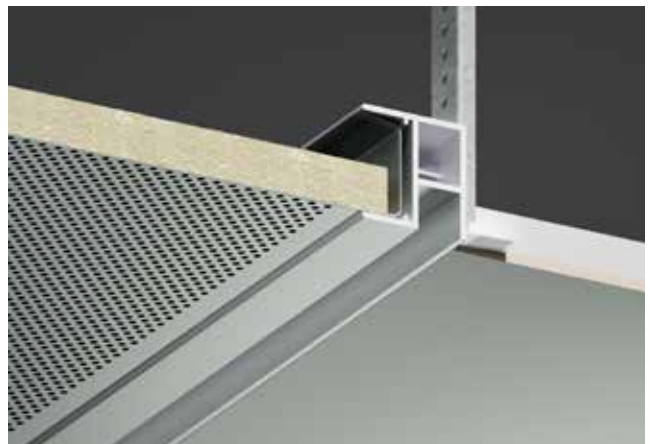
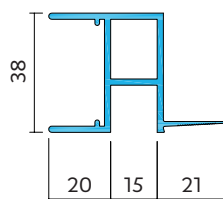
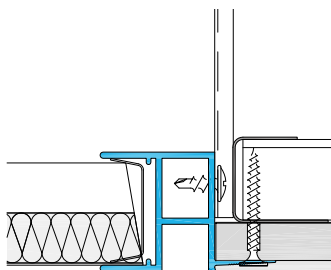
FAB SJ 150

Feathered Cut Metal Tile to Plasterboard, 15mm Shadow Gap Trim Fabricated

Item No **N/A**

Length (mm) -

Accessories **TCB01, TCB08, TCP90, TCP180, TCP360, Perimeter Wedge**



All dimensions are in mm.

Trims | Plasterboard

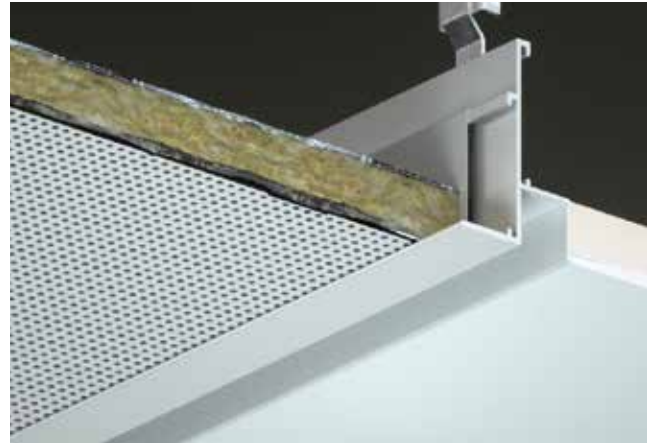
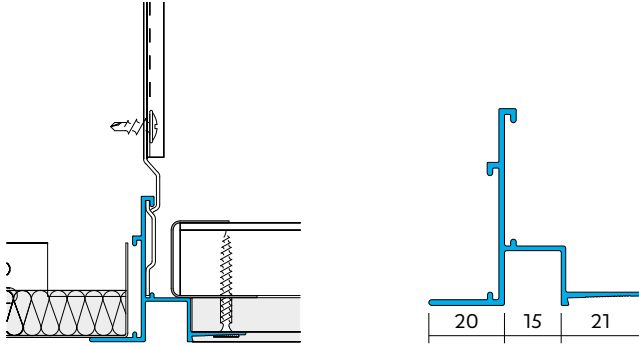
TRU SH 150

Feathered Full Tile to Plasterboard, 15mm Shadow Gap Trim

Item No **14224**

Length (mm) **3000**

Accessories **TCB01, TCB08, TCP90, TCP180, TCP360**



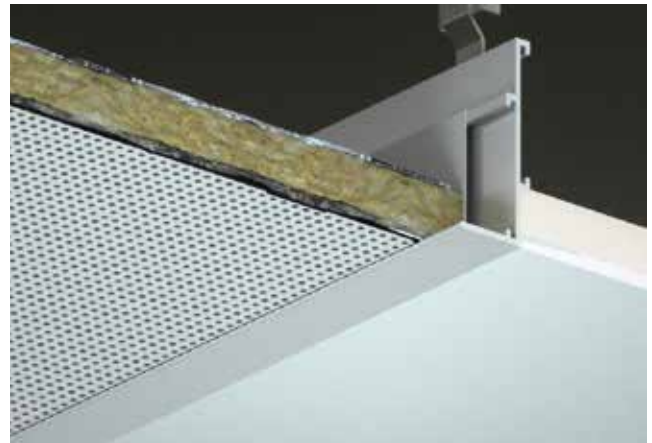
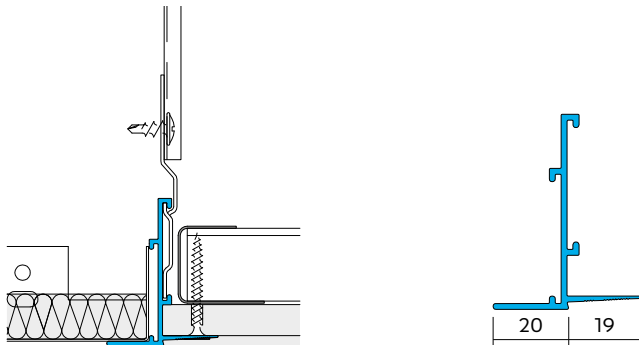
TRU KB 150

Feathered Full Metal Tile to Plasterboard Trim

Item No **274106**

Length (mm) **3000**

Accessories **TCB01, TCB08, TCP90, TCP180, TCP360**



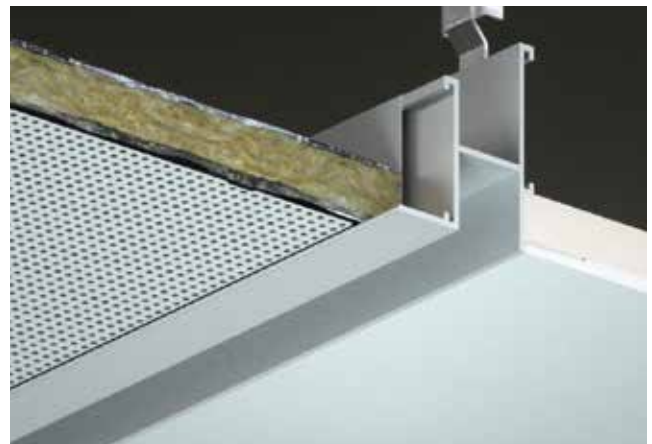
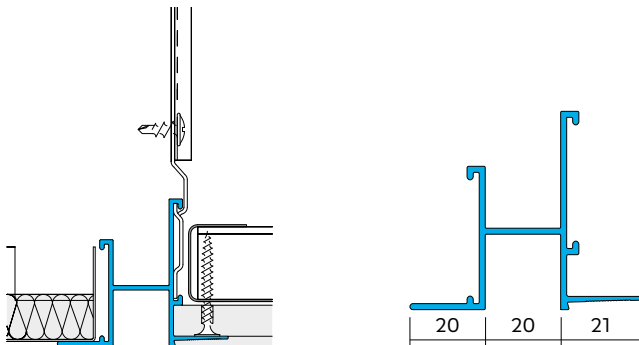
TCA 0144

Full Metal Tile to Plasterboard, 20mm Shadow Gap Trim

Item No **14075**

Length (mm) **3000**

Accessories **TCB01, TCB08, TCP90, TCP180, TCP360**



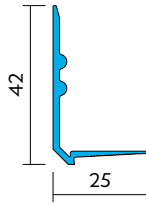
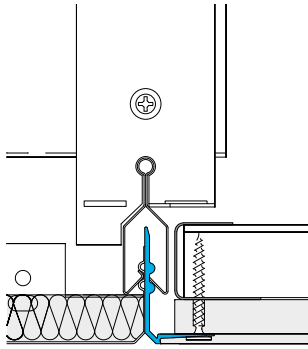
All dimensions are in mm.

Trims | Plasterboard

TRU SS 150

SAS150 Feathered Full Tile to Plasterboard Trim

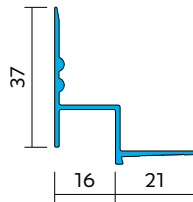
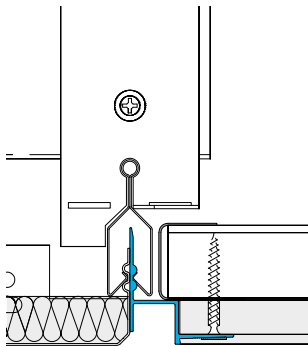
Item No **10581**
Length (mm) **3000**
Accessories **N/A**



TRU SG 150

SAS150 Feathered Full Tile to Plasterboard, 15mm Shadow Gap Trim

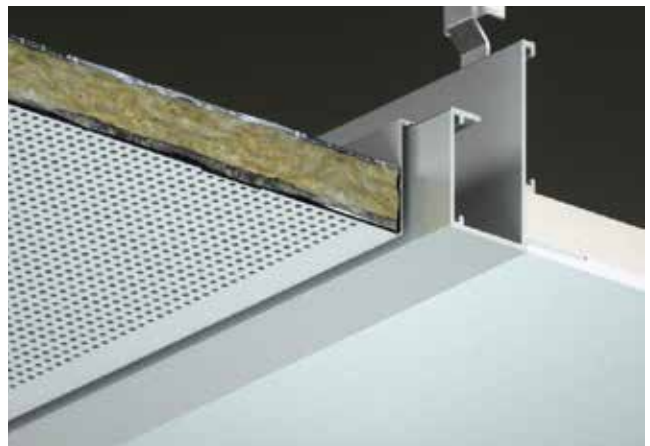
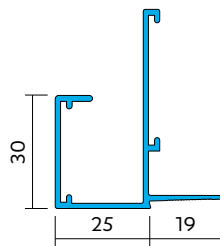
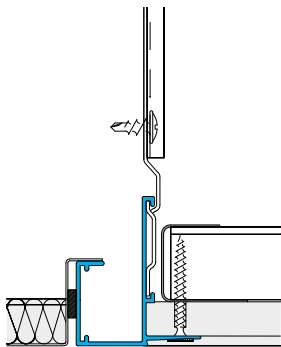
Item No **10582**
Length (mm) **3000**
Accessories **N/A**



TRU TJ 330

SAS330 Feathered Full Tile to Plasterboard Trim

Item No **14223**
Length (mm) **3000**
Accessories **TCB01, TCB08, TCP90/90s, TCP180/180s, TCP360**



All dimensions are in mm.

Trims | Plasterboard

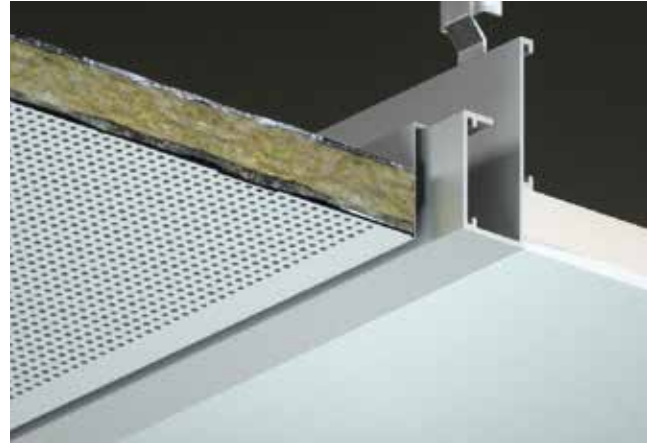
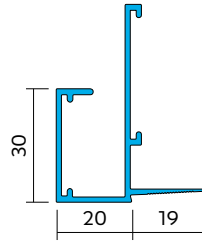
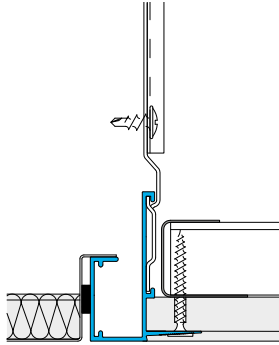
TRU DW 330

SAS330 Feathered Full Tile to Plasterboard Trim

Item No **272083**

Length (mm) **3000**

Accessories **TCB01, TCB08, TCP90/90s, TCP180/180s, TCP360**



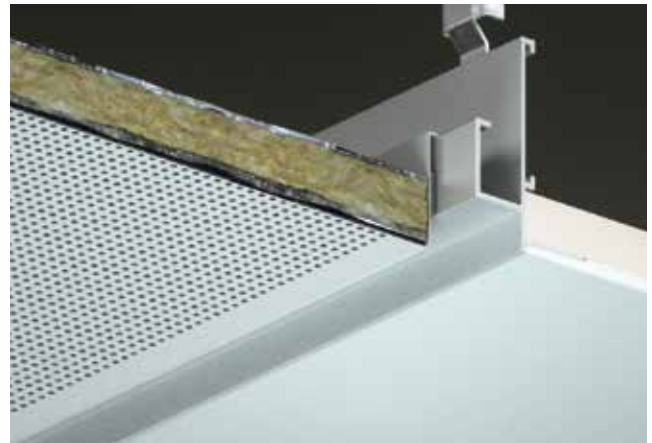
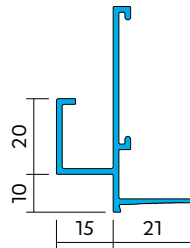
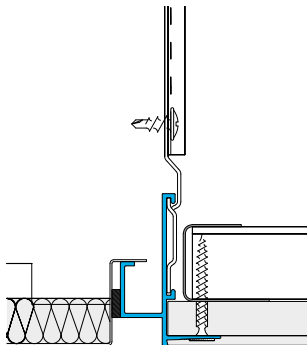
TRU PB 330

SAS330 Feathered Full Tile to Plasterboard, 15mm Shadow Gap Trim

Item No **10588**

Length (mm) **3000**

Accessories **TCB01, TCB08, TCP90, TCP180, TCP360**



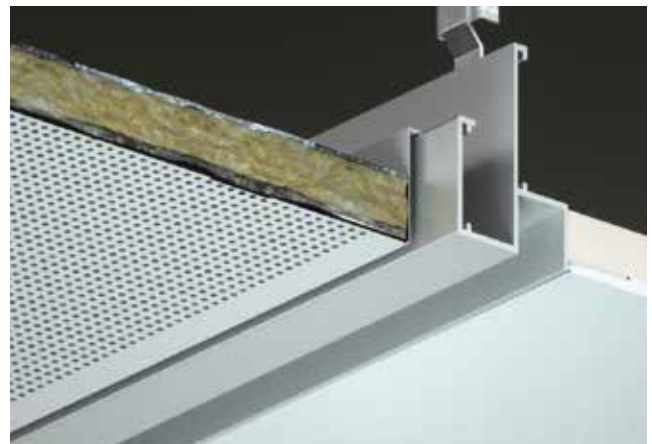
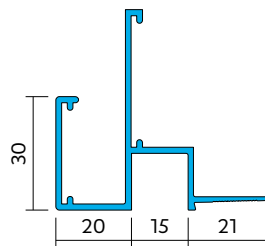
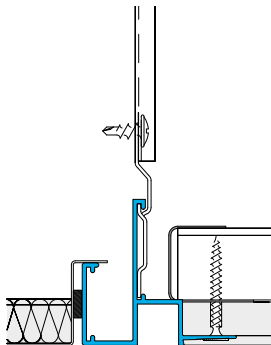
TRU LK 330

SAS330 Full Tile to Plasterboard, 15mm Shadow Gap Trim

Item No **14232**

Length (mm) **3000**

Accessories **TCB01, TCB08, TCP90/90s, TCP180/180s, TCP360**

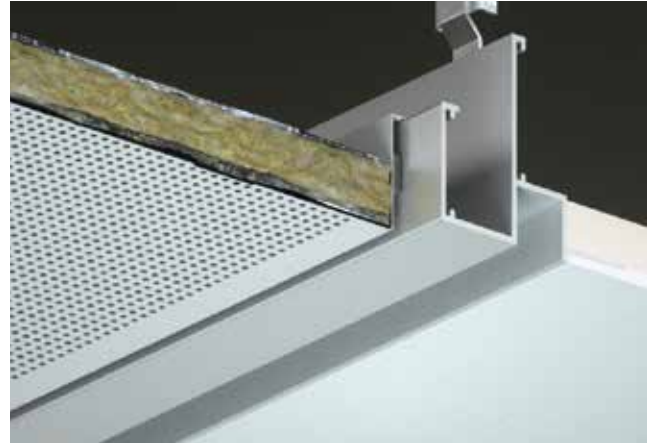
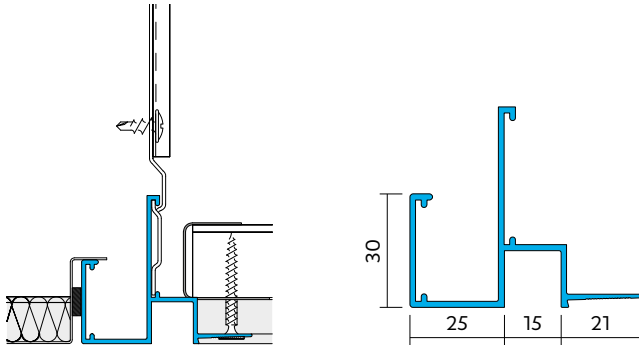


All dimensions are in mm.

Trims | Plasterboard

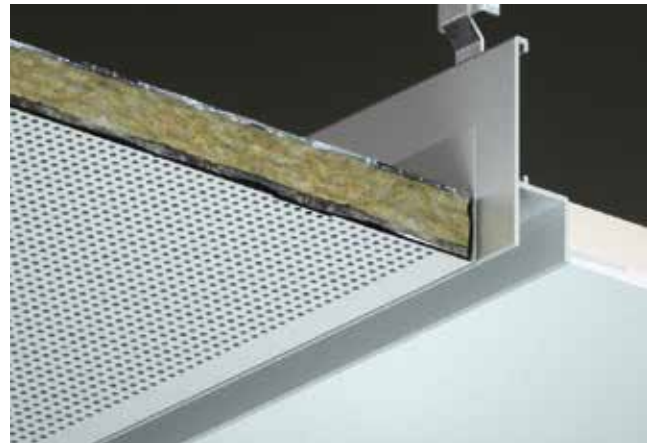
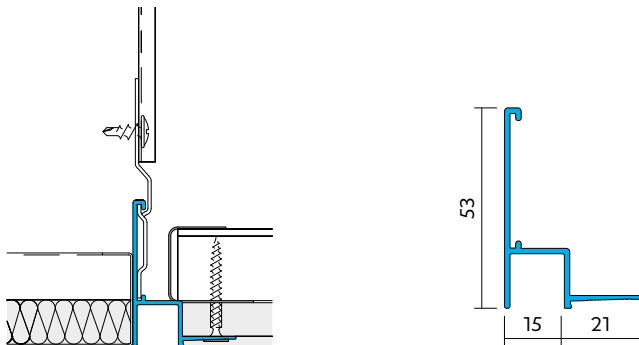
TRU SJ 330

SAS330 Full Tile to Plasterboard, 15mm Shadow Gap Trim
Item No **10587**
Length (mm) **3000**
Accessories **TCB01, TCB08, TCP90/90s, TCP180/180s, TCP360**



TRU SL 330

SAS330 Plasterboard Shadow Gap Closure Trim
Item No **187502**
Length (mm) **3000**
Accessories **TCP90, TCP180, TCP360**



All dimensions are in mm.

Trims | SAS130

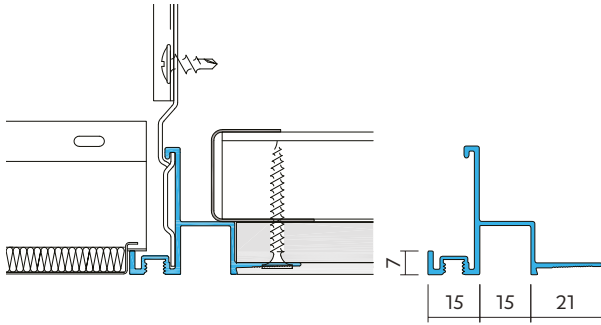
TRU SJ 1508

SAS130 Feathered Full Tile to Plasterboard 15mm Shadow Gap Trim (Plain to Suit Q15/08)

Item No **222704**

Length (mm) **3000**

Accessories **TCB08, TCP90, TCP180, TCP 360**



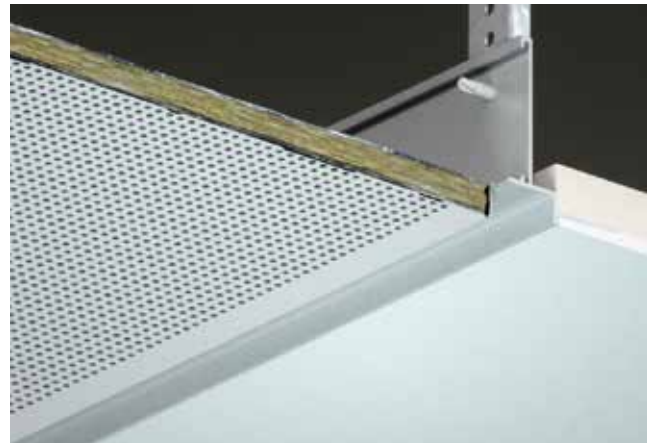
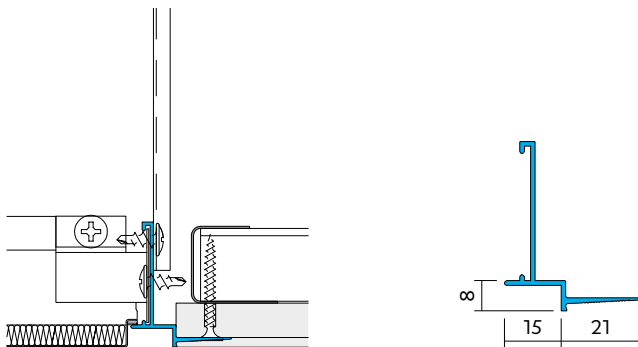
TRU SJ T1508

SAS130 Feathered Full Tile to Plasterboard Trim (T15)

Item No **22435**

Length (mm) **3000**

Accessories **TCB01, TCB08, TCP90, TCP180, TCP360, 21566**



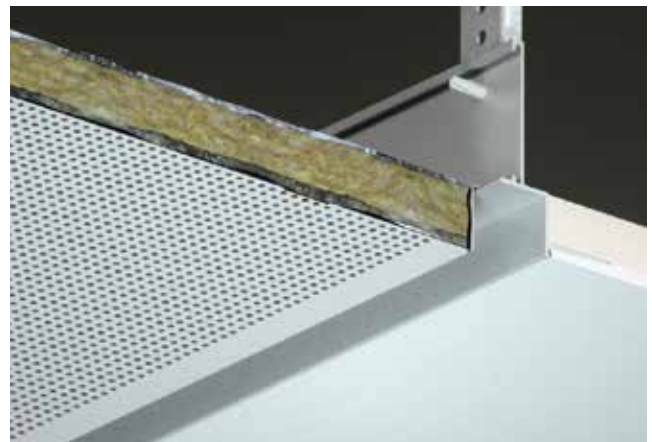
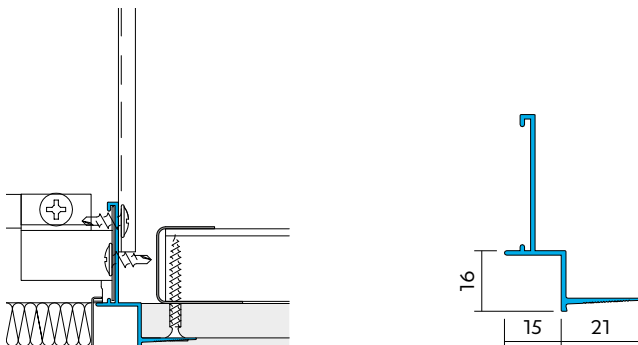
TRU SJ T1516

SAS130 Feathered Full Tile Plasterboard Trim (T15)

Item No **10591**

Length (mm) **3000**

Accessories **TCB01, TCB08, TCP90, TCP180, TCP360, 21566**

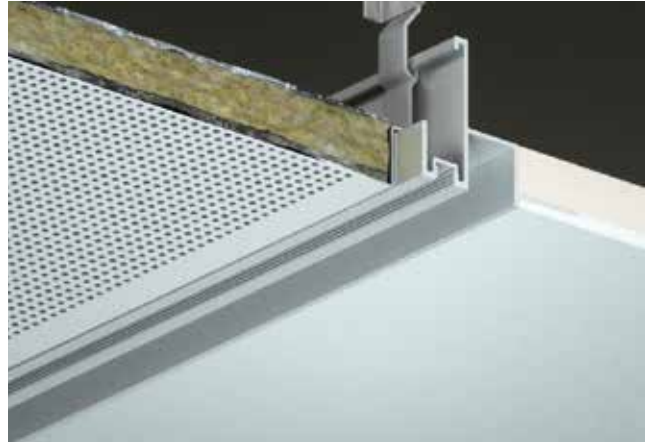
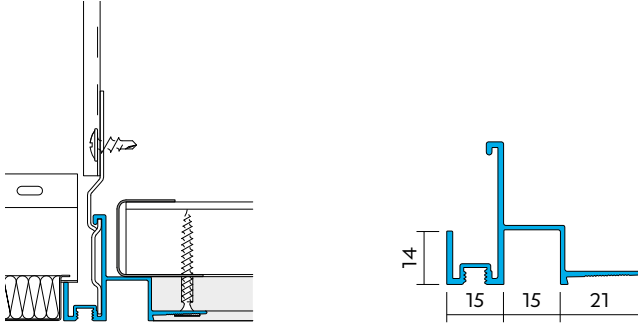


All dimensions are in mm.

Trims | SAS130

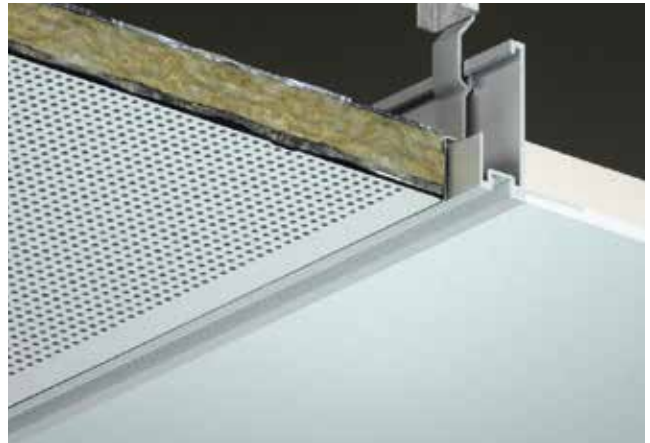
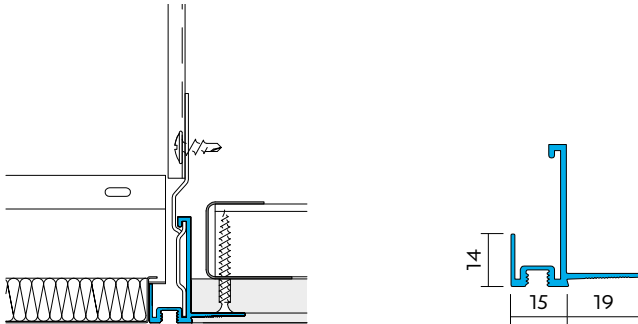
TRU SJ 1516

**SAS130 Full Tile to Plasterboard 15mm Shadow Gap Trim
(Threaded to Suit Q15/16 & Q15/19)**
Item No **10570**
Length (mm) **3000**
Accessories **TCB01, TCB08, TCP90, TCP180, TCP360**



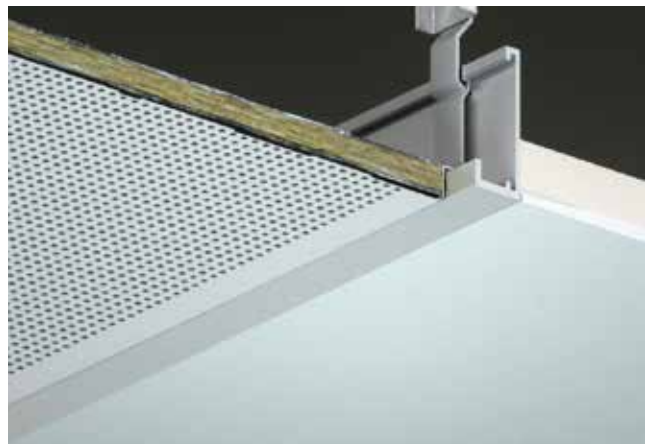
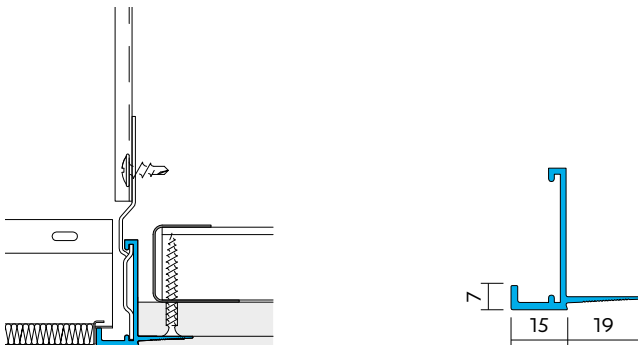
TRU TJ 1516

**SAS130 Full Metal Tile to Plasterboard Trim
(Threaded to Suit Q15/16 & Q15/19)**
Item No **10584**
Length (mm) **3000**
Accessories **TCB01, TCB08, TCP90, TCP180, TCP360**



TRU TJ P1508

SAS130 Full Metal Tile to Plasterboard Trim (Plain to Suit P15/08)
Item No **22437**
Length (mm) **3000**
Accessories **TCB01, TCB08, TCP90, TCP180, TCP360**



All dimensions are in mm.

Trims | SAS130

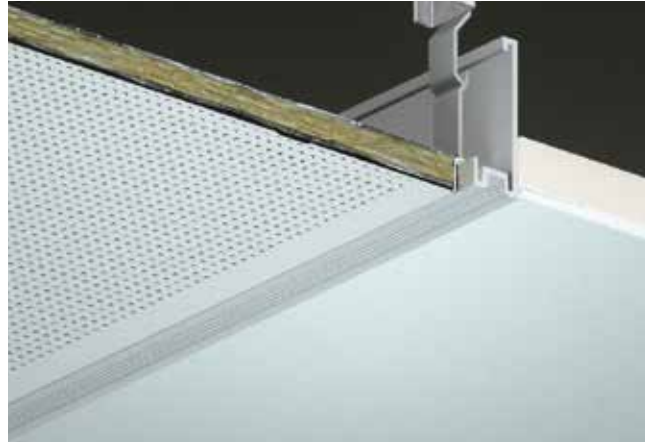
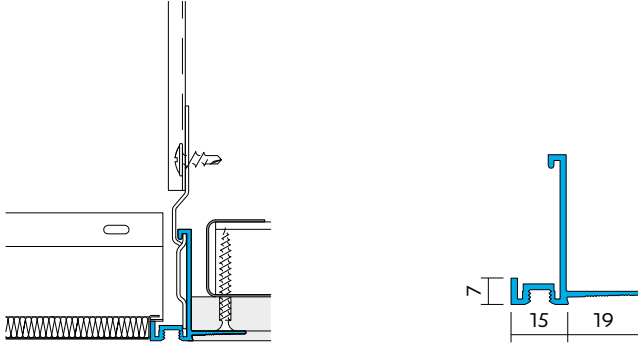
TRU TJ 1508

SAS130 Full Tile to Plasterboard Trim (Threaded to Suit Q15/08)

Item No **14201**

Length (mm) **3000**

Accessories **TCB01, TCB08, TCP90, TCP180, TCP360**



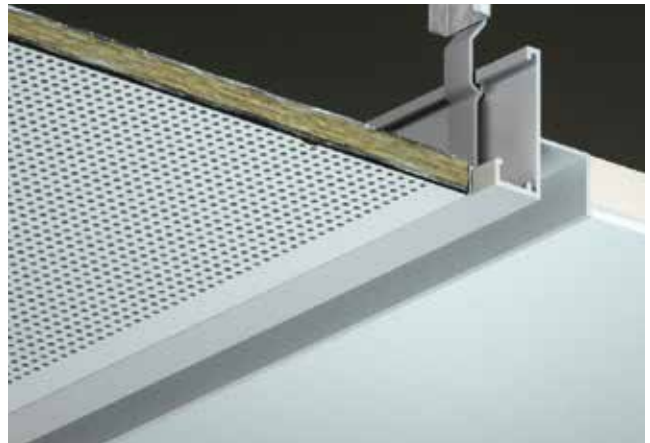
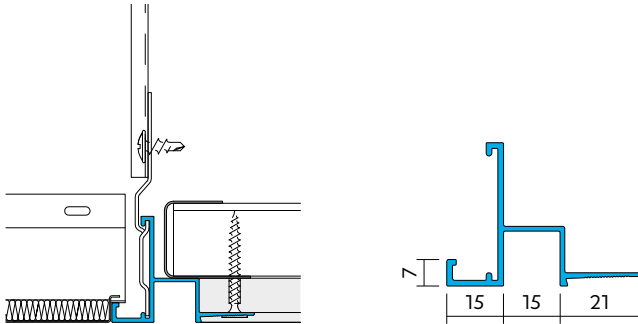
TRU SW 1508

SAS130 Full Metal Tile to Plasterboard 15mm Shadow Gap Trim (Plain to Suit P15/08)

Item No **196059**

Length (mm) **3000**

Accessories **TCB01, TCB08, TCP90, TCP180, TCP360**



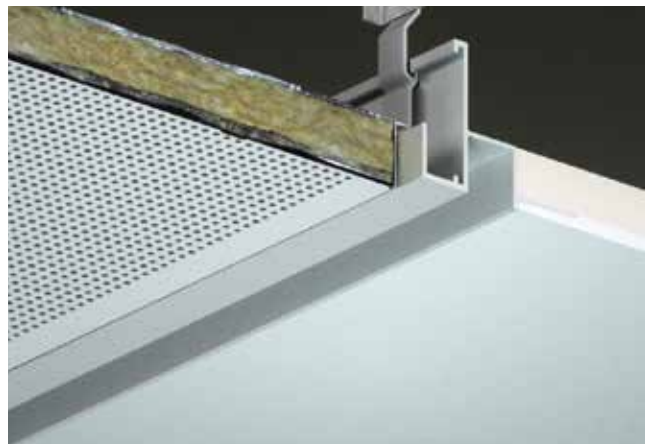
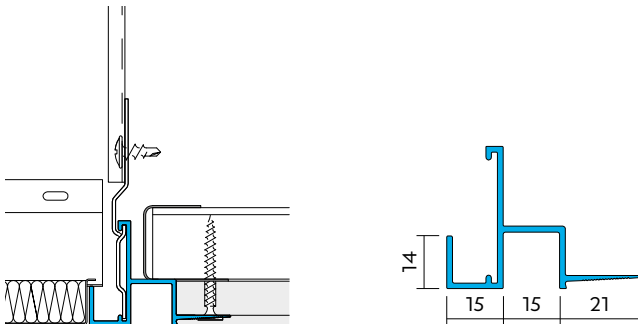
TRU SW 1516

SAS130 Feathered Full Tile to Plasterboard 15mm Shadow Gap Trim (Plain to Suit P15/16)

Item No **10699**

Length (mm) **3000**

Accessories **TCB01, TCB08, TCP90, TCP180, TCP360**



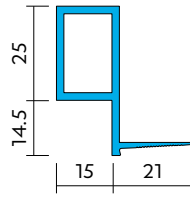
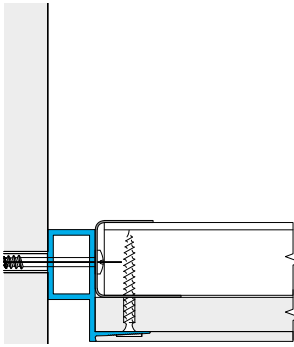
All dimensions are in mm.

Trims | Plasterboard Edge

FAB ST 150*

15mm Shadow Gap Plasterboard Trim Fabricated

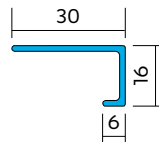
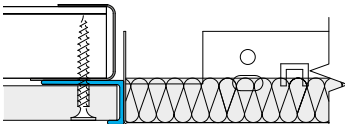
Item No **N/A**
Length (mm) **3000**
Accessories **N/A**



TCA 0152*

Plasterboard Perimeter Trim

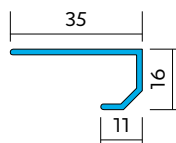
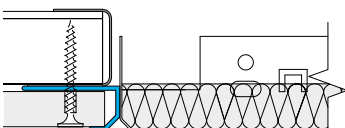
Item No **10552**
Length (mm) **3000**
Accessories **N/A**



TCA 0153

Bevelled Plasterboard Perimeter Trim

Item No **10553**
Length (mm) **3000**
Accessories **N/A**



*Can also be manufactured as radiused trim for column rings.

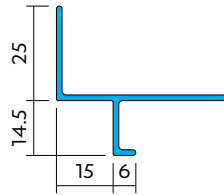
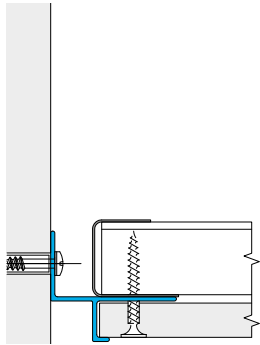
All dimensions are in mm.

Trims | Plasterboard Edge

TCA 0155*

15mm x 15mm Shadow Gap Plasterboard Trim

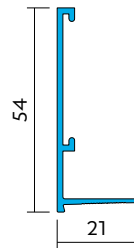
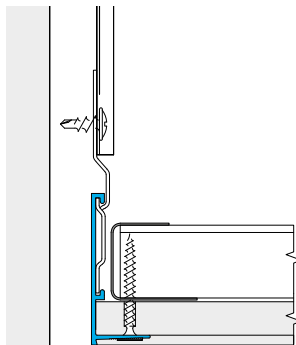
Item No **10555**
Length (mm) **3000**
Accessories **N/A**



TRU PT 250

25mm Feathered Extended Leg Plasterboard Trim

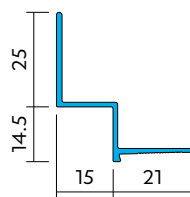
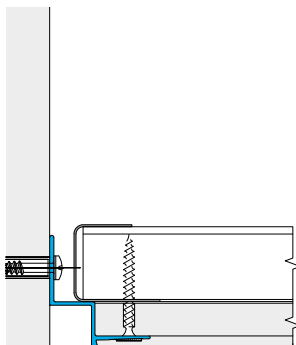
Item No **10585**
Length (mm) **3000**
Accessories **TCB01, TCB08, TCP90, TCP180, TCP360**



TRU ST 150

15mm Shadow Gap Plasterboard Trim

Item No **10579**
Length (mm) **3000**
Accessories **N/A**



All dimensions are in mm.

*Can also be manufactured as radiused trim for column rings.

Trims | Bulkhead

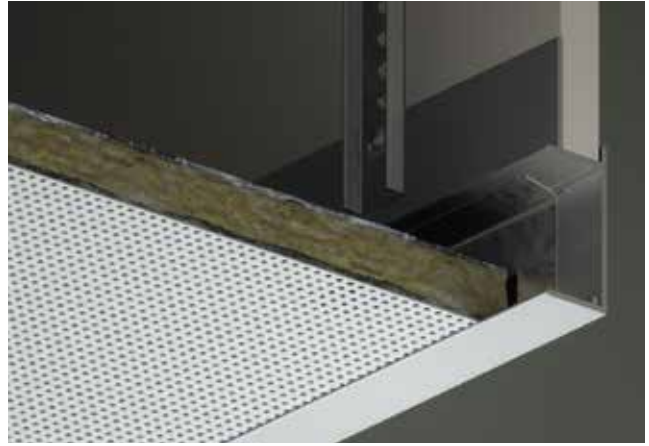
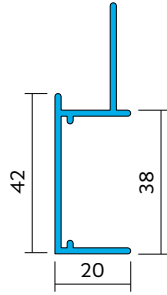
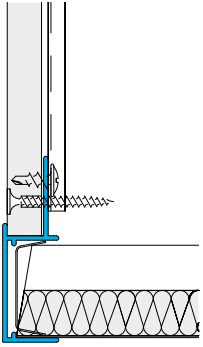
TCA 0169

Cut Metal Tile to Vertical Plasterboard Bulkhead Trim

Item No **10697**

Length (mm) **3000**

Accessories **TCP90, TCP180, TCP360, Perimeter Wedge**



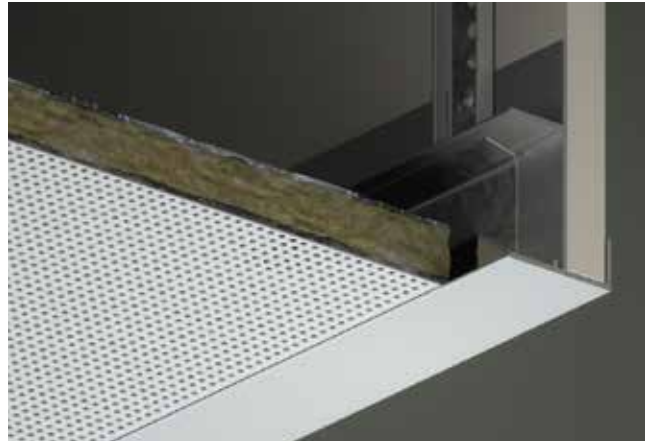
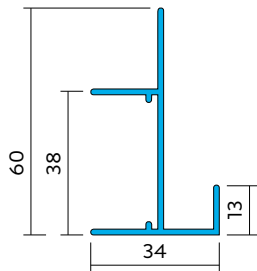
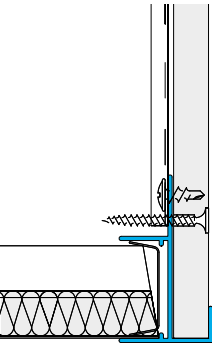
TCA 0173

Cut Metal Tile to Vertical Plasterboard Bulkhead

Item No **10557**

Length (mm) **3000**

Accessories **TCP90, TCP180, TCP360, Perimeter Wedge**



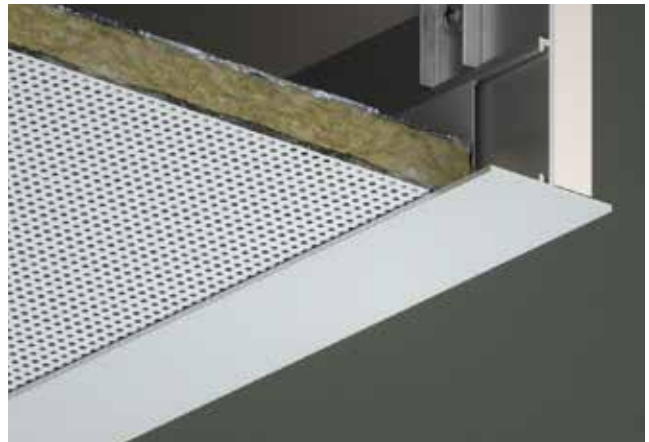
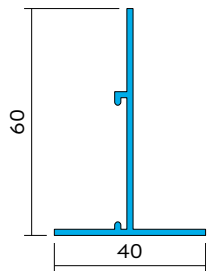
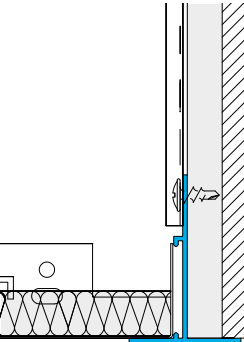
TCA 0219

Full Metal Tile to Vertical Plasterboard Trim

Item No **10564**

Length (mm) **3000**

Accessories **TCB01, TCB08, TCP90, TCP180, TCP360**



All dimensions are in mm.

Trims | Bulkhead

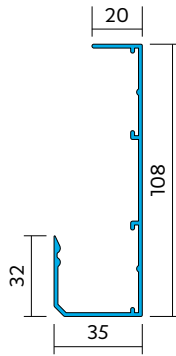
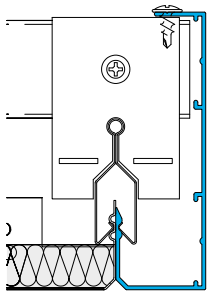
TCA 1203

SAS150 Full Tile Closure Detail

Item No **59956**

Length (mm) **3000**

Accessories **TCP90, TCP180, TCP360**



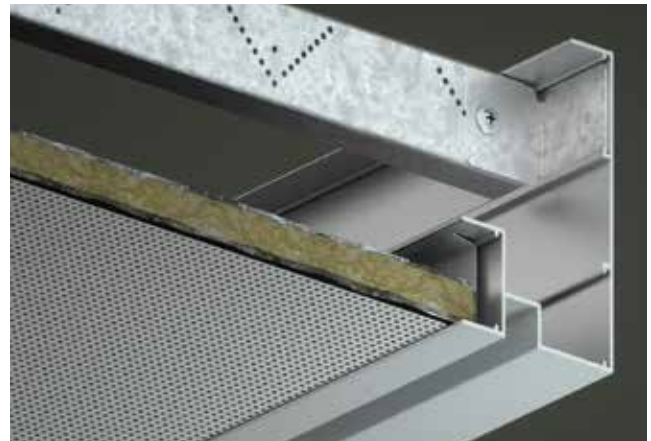
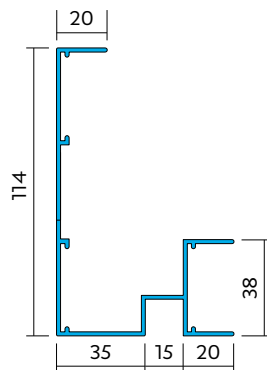
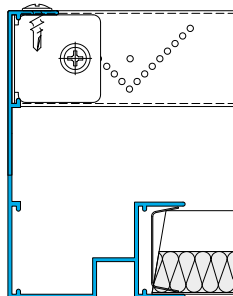
TCA 2111

15mm Shadow Gap 20mm Angle Trim

Item No **26651**

Length (mm) **3000**

Accessories **TCP90, TCP180, TCP360, Perimeter Wedge**



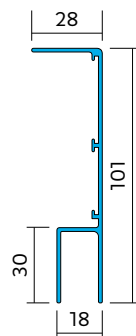
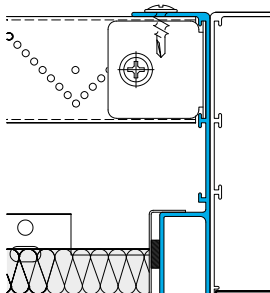
TRU CJ 330

SAS330 Shadow Gap Trim

Item No **192042**

Length (mm) **3000**

Accessories **TCB01, TCB08, TCP90, TCP180, TCP360**



All dimensions are in mm.

Trims | Mitre Junction

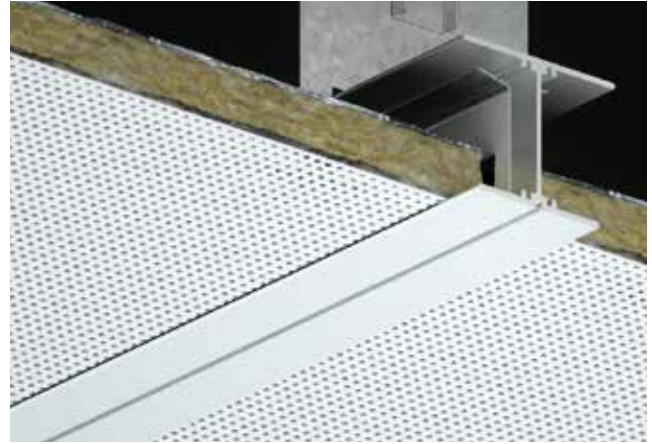
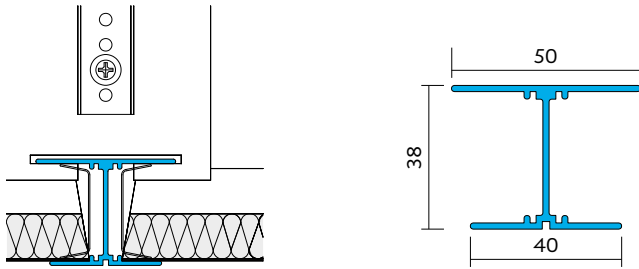
TCA 0215

Cut Metal Tile 40mm Mitre Junction Trim

Item No **14091**

Length (mm) **3000**

Accessories **TCB12, TCP90, TCP180, TCP360, Perimeter Wedge**



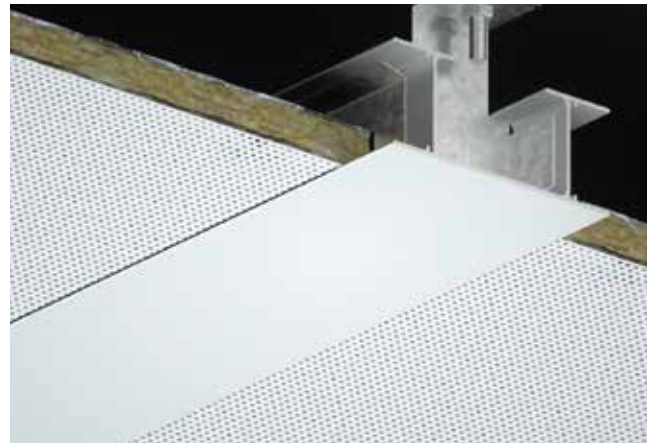
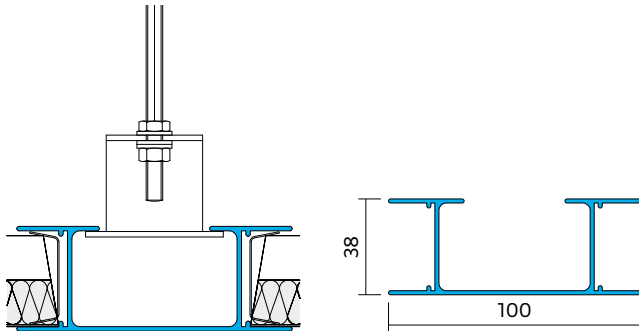
TCA 0310

Cut Metal Tile 100mm Mitre Junction Trim

Item No **10565**

Length (mm) **3000**

Accessories **TCB60, TCP90, TCP180, TCP360, Perimeter Wedge, Suspension Bracket 22008**



All dimensions are in mm.

Trims | Linear

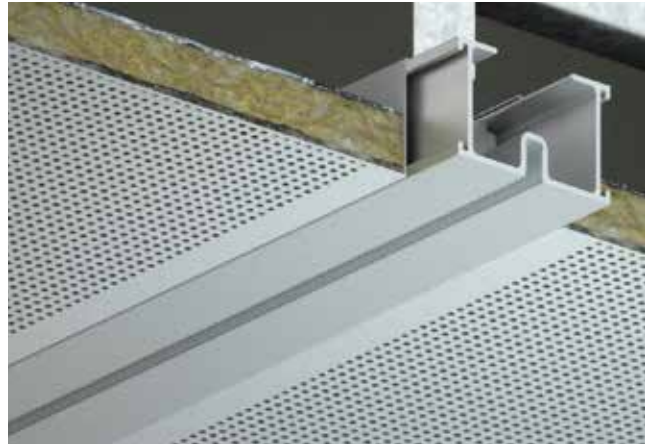
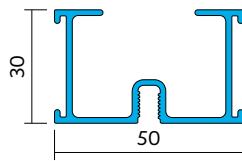
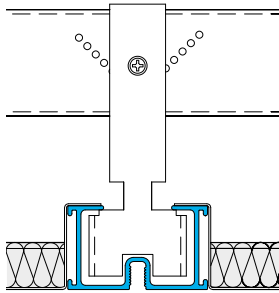
TCA 0313

Threaded C-Profile 50mm wide

Item No **14105**

Length (mm) **3000**

Accessories **TCP90s, TCP180s, Suspension Bracket 40282**



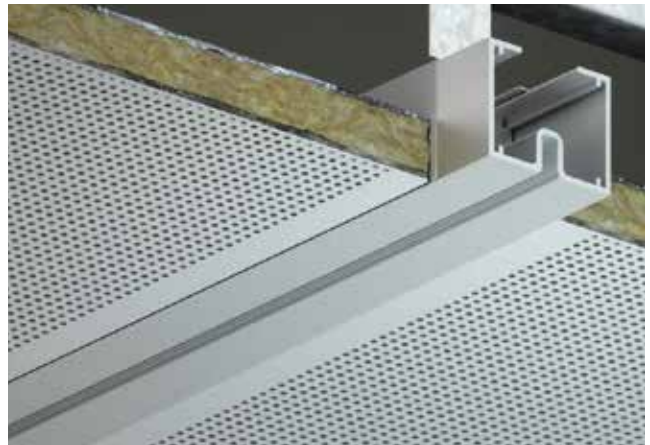
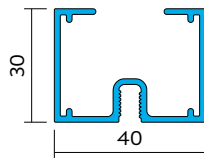
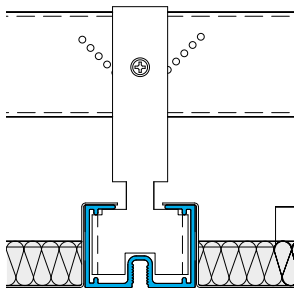
TCA 0314

Threaded C-Profile 40mm wide

Item No **14110**

Length (mm) **3000**

Accessories **TCP90s, TCP180s, Suspension Bracket 40282**



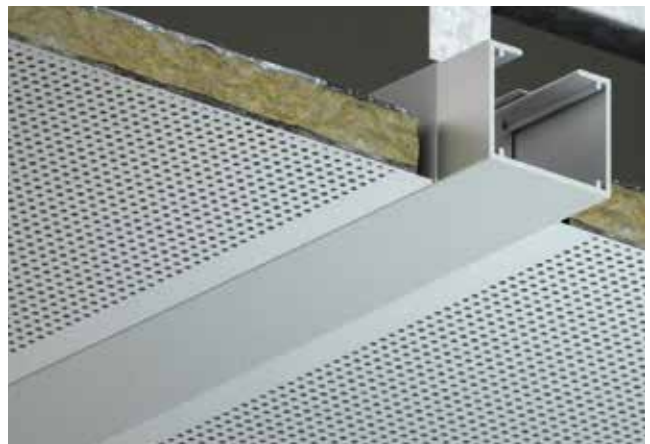
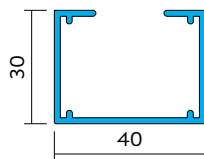
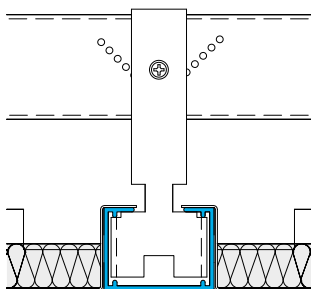
TCA 1182

C-Profile 40mm wide

Item No **22428**

Length (mm) **3000**

Accessories **TCP90s, TCP180s, Suspension Bracket 40282**



All dimensions are in mm.

Trims | SAS330

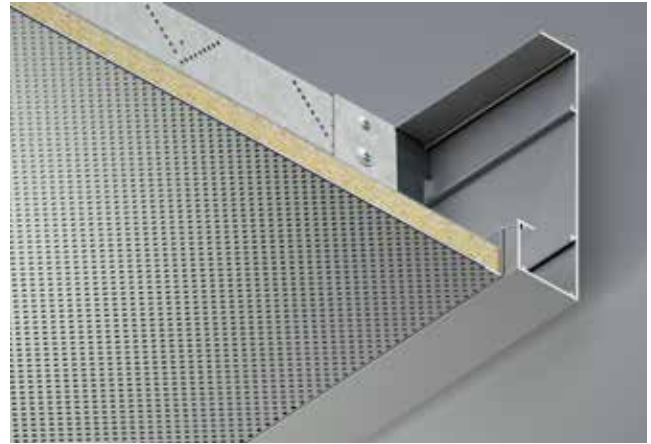
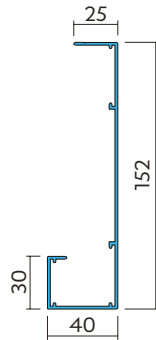
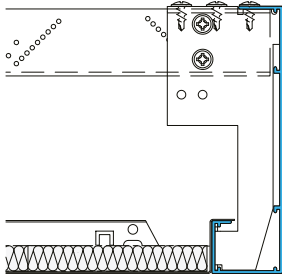
TCA 0862

SAS330 Full Tile Closure Detail

Item No **299794**

Length (mm) **3000**

Accessories **TCP90, TCP90s, TCP180, TCP180s, TCP360, Suspension Bracket**



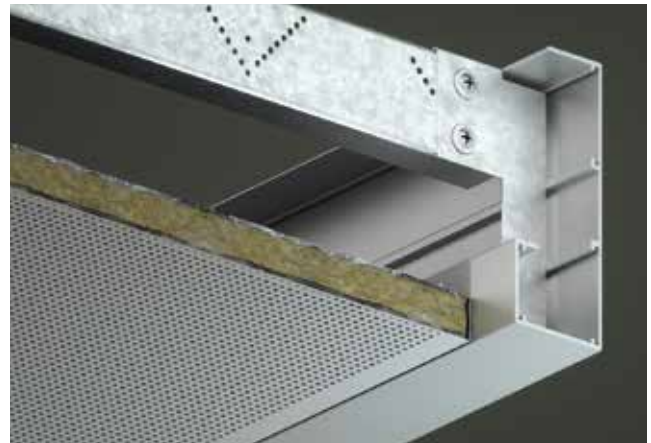
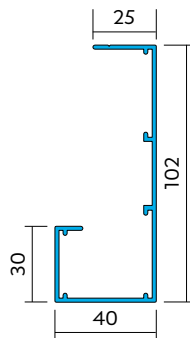
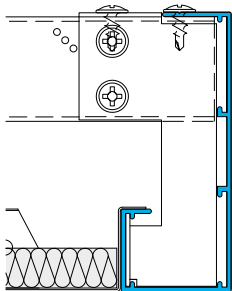
TCA 0637

SAS330 Full Tile Closure Detail

Item No **256239**

Length (mm) **3000**

Accessories **TCP90, TCP90s, TCP180, TCP180s, TCP360, Suspension Bracket 250083**



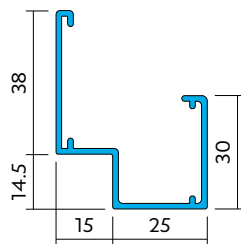
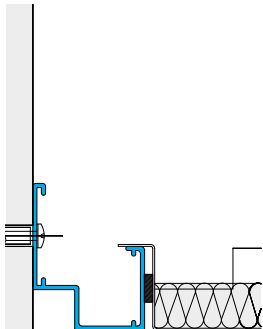
TCA 1136

SAS330 Full Tile to Vertical Plasterboard Perimeter Trim, 15mm Shadow Gap

Item No **14136**

Length (mm) **3000**

Accessories **TCP90/90s, TCP180/180s, TCP360**



All dimensions are in mm.

Trims | Floating Edge

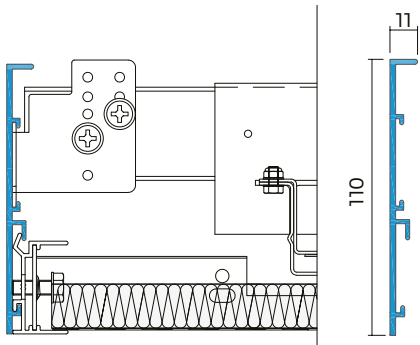
TCA 0861

Floating Edge Detail - Closure

Item No **299189**

Length (mm) **3000**

Accessories **Dominos Bracket (299222), Snap In Extrusions, TCP 180, TCP 90**



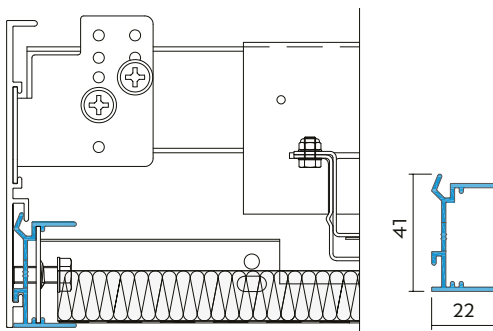
TCA 0860

Snap-in Edge Detail - Cut/Full Tile Trim

Item No **288652**

Length (mm) **3000**

Accessories **TS 180, TS 90, TCP 180, TCP 90, Perimeter Edge**



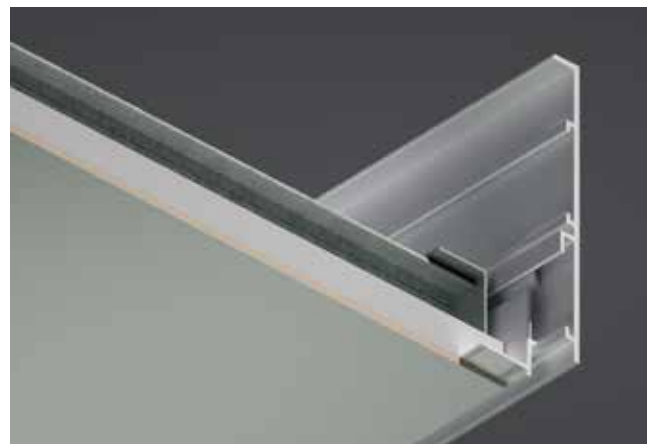
TRU HM 100

Snap-In Edge Detail - Plasterboard Trim

Item No **288449**

Length (mm) **3000**

Accessories **TCP 180, TCP 90**



All dimensions are in mm.

Trims | Floating Edge

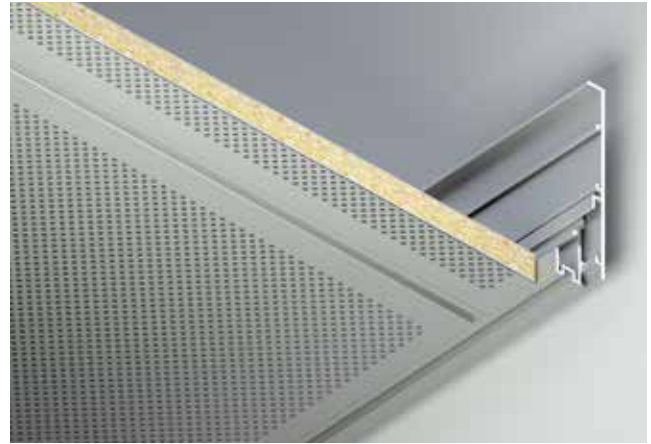
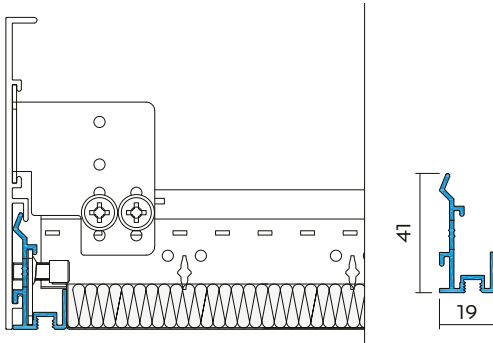
TCA 1300

Snap-In Edge Detail SAS130

Item No **288655**

Length (mm) **3000**

Accessories **TS 180s, TS 90s, TCP 180, TCP 90**



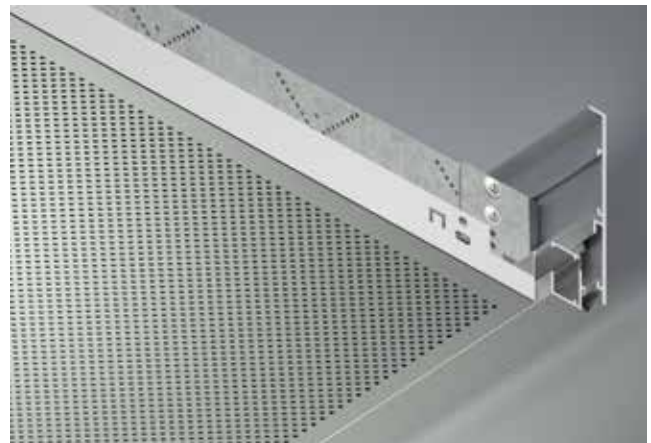
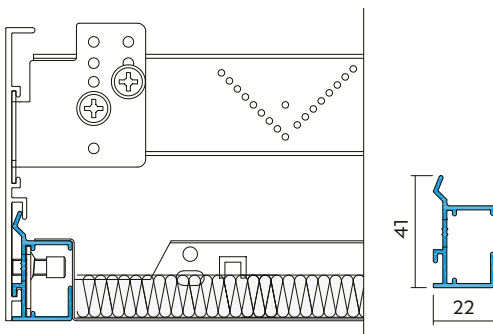
TCA 1301

Snap-In Edge Detail SAS330

Item No **288656**

Length (mm) **3000**

Accessories **TS 180s, TS 90s, TCP 180, TCP 90**



All dimensions are in mm.

Trims | Blind box

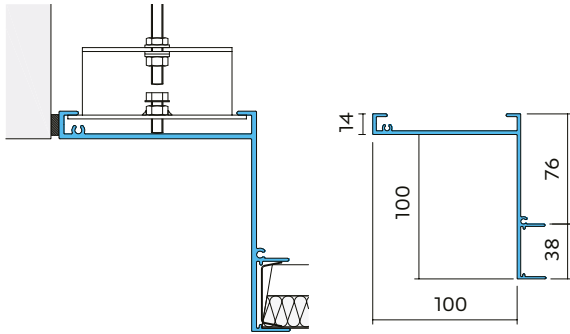
TCA 0312

100mm Blind Box Channel Trim

Item No **14103**

Length (mm) **3000**

Accessories **TCB50, TCP90, TCP180, TCP360, Perimeter Wedge, End Plate**



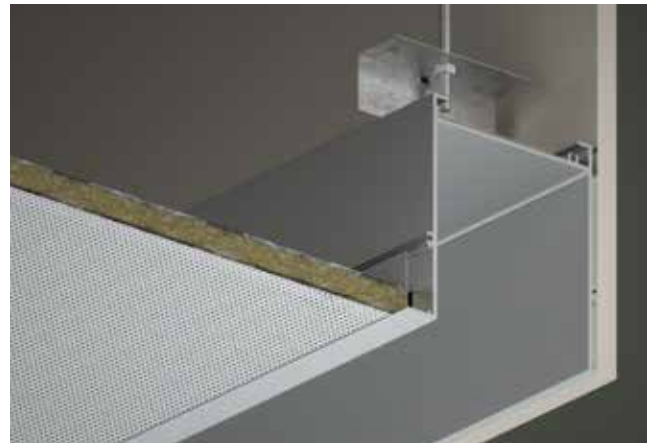
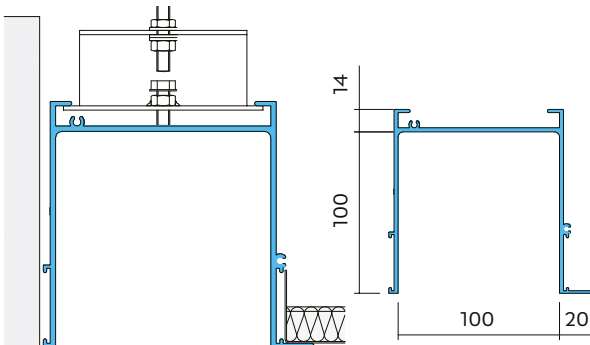
TCA 0317

100mm Blind Box Angle Trim

Item No **22427**

Length (mm) **3000**

Accessories **TCB50, TCP90, TCP180, TCP36, End Plate**



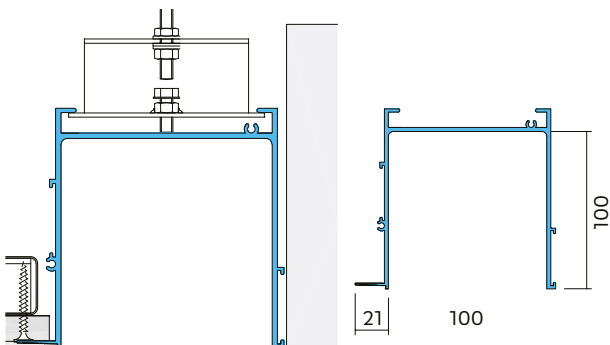
TCA 1147

98mm Blind Box Plasterboard Trim

Item No **14139**

Length (mm) **3000**

Accessories **TCB50, TCP90, TCP180, TCP360, End Plate**



All dimensions are in mm.

Trims | Blind box

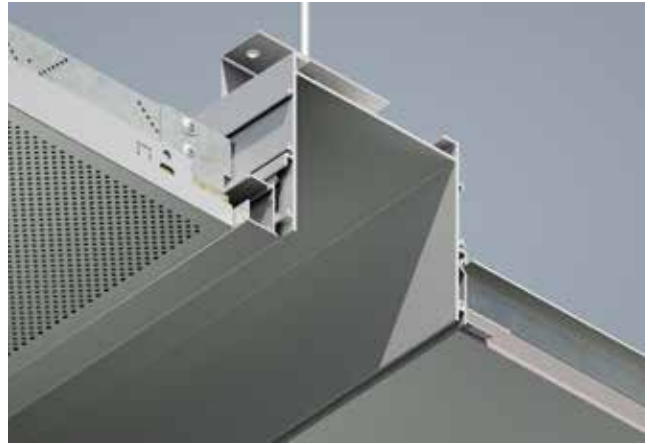
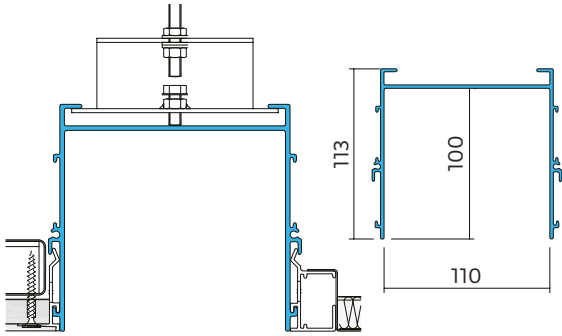
TCA 0863

100mm x 110mm Snap-In Blind Box

Item No **288448**

Length (mm) **3000**

Accessories **TCB50, TCP90, TCP180, TCP360, Perimeter Wedge, End Plate**

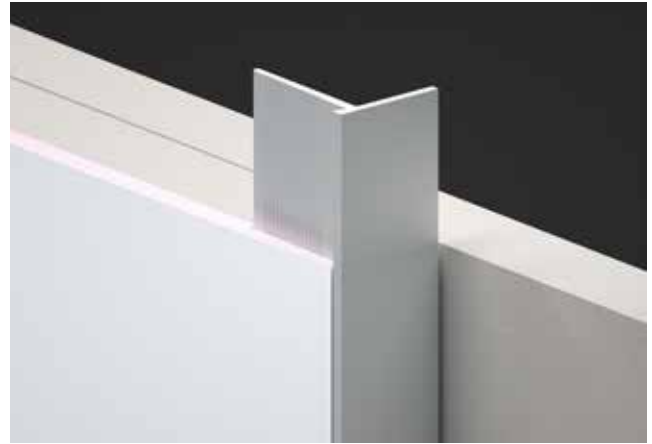
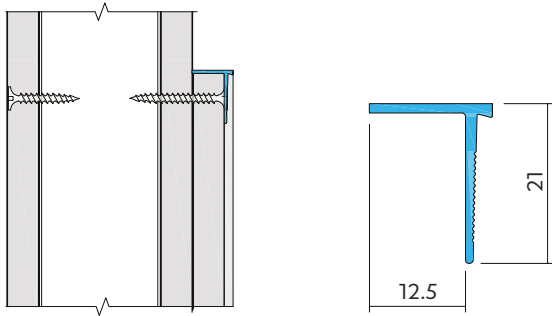


All dimensions are in mm.

Trims | Dry Lining

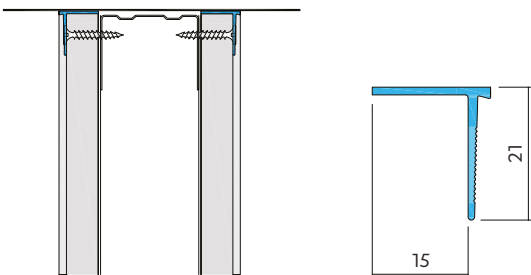
TRU ET 125

12.5mm Edge Trim
Item No **10575**
Length (mm) **3000**
Accessories **N/A**



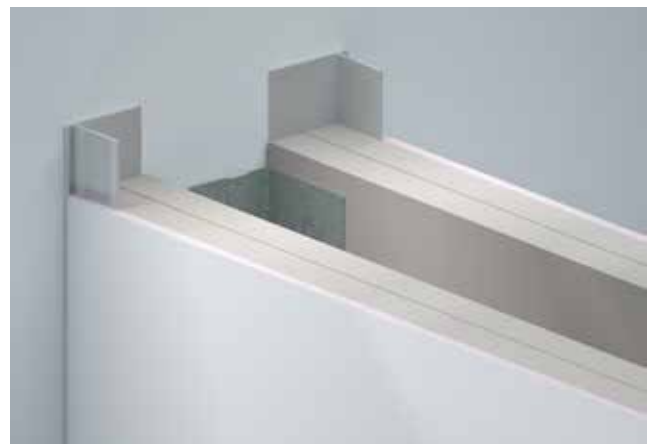
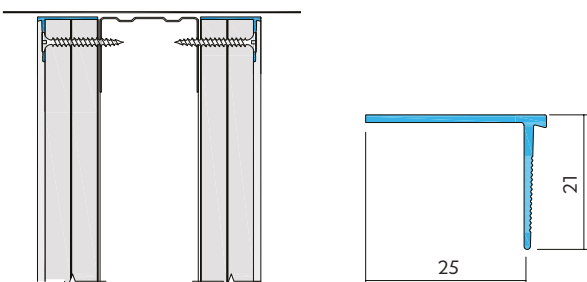
TRU ET 150

15mm Edge Trim
Item No **10576**
Length (mm) **3000**
Accessories **N/A**



TRU ET 250

25mm Edge Trim
Item No **10577**
Length (mm) **3000**
Accessories **N/A**

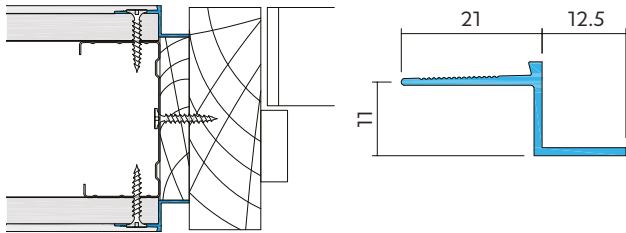


All dimensions are in mm.

Trims | Dry Lining

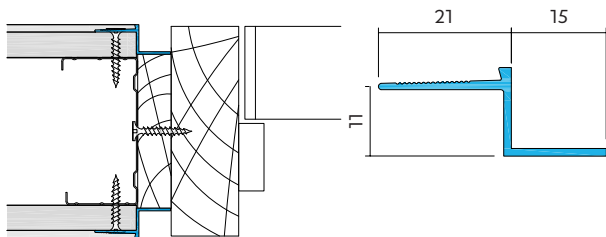
TRU RT 125

12.5mm Reveal Trim
Item No **10571**
Length (mm) **3000**
Accessories **N/A**



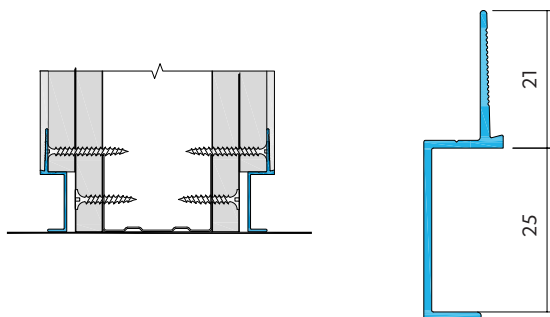
TRU RT 150

15mm Reveal Trim
Item No **10578**
Length (mm) **3000**
Accessories **N/A**



TRU SK 25

25mm Recessed Skirting Trim
Item No **14174**
Length (mm) **3000**
Accessories **N/A**



All dimensions are in mm.

Trims | Dry Lining

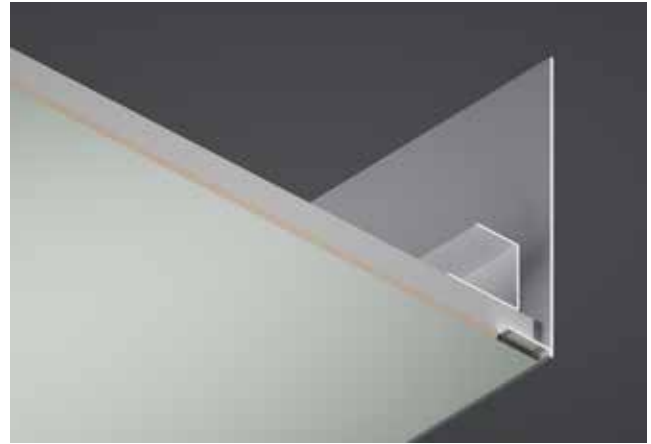
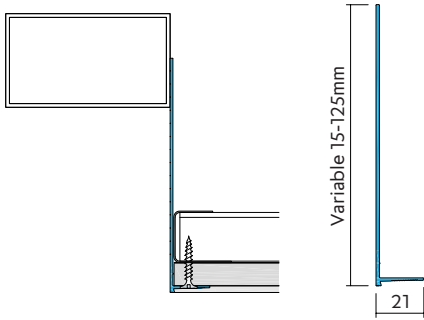
TRU VD 1250

Variable Depth Edge Trim (15mm - 125mm)

Item No **14220**

Length (mm) **3000**

Accessories **N/A**



All dimensions are in mm.

Trims | Gravity Baton

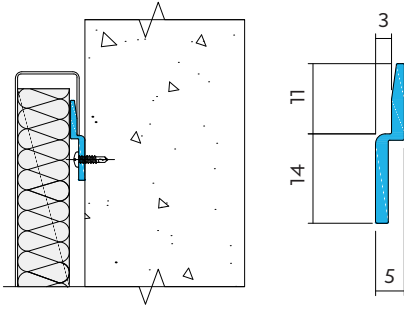
TCA 0507

Size "Z" Shape Profile for Hook On Tiles

Item No **371489**

Length (mm) **3000**

Accessories -

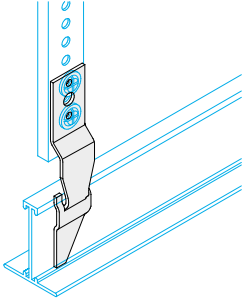


All dimensions are in mm.

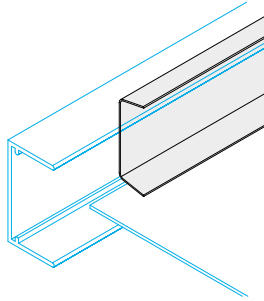
Trims | Accessories

TCB 08

Descriptor **Extrusion to Emac Hanger Bracket**
Item No **10530**

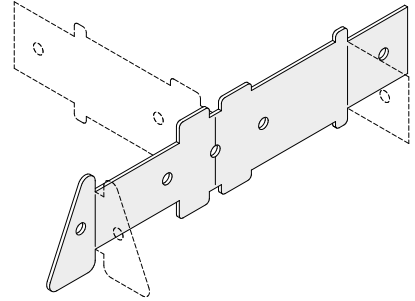


Descriptor **Perimeter Wedge**
Item No **10178**



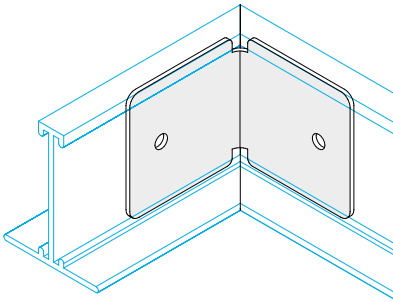
TCP 360

Descriptor **Multi Splice**
Item No **14046**



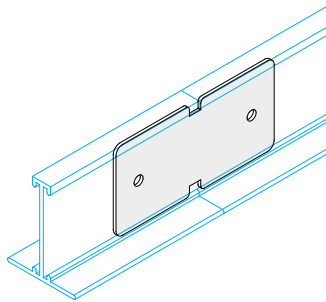
TCP 90

Descriptor **Corner Splice to suit 34.5mm keyway**
Item No **10536**



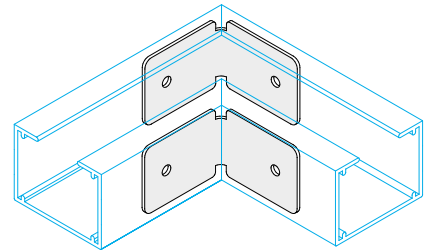
TCP 180

Descriptor **Straight Splice to suit 34.5mm keyway**
Item No **10534**



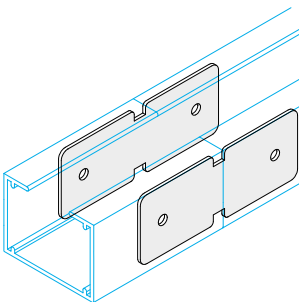
TCP 90s

Descriptor **Corner Splice to suit 26.8mm**
Item No **14047**



TCB 180s

Descriptor **Straight Splice to suit 26.8mm keyway**
Item No **14042**

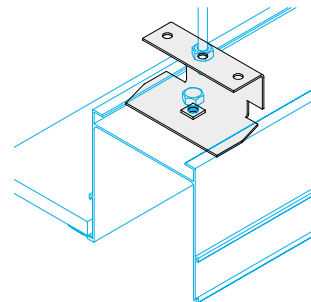


TCB 12

Descriptor **TCA 0215 Hanger Bracket**
Item No **10531**

TCB 50

Descriptor **Blind Box Hanger to suit Threaded Rod**
Item No **22007**

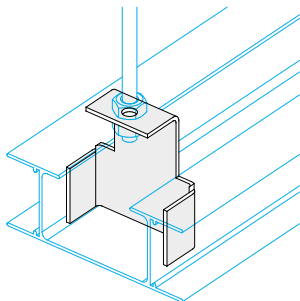


All dimensions are in mm.

Trims | Accessories

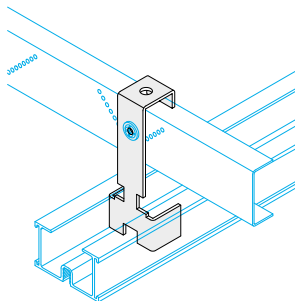
TCB 60

Descriptor **TCA 0310 Hanger Bracket to suit Threaded Rod**
Item No **22008**



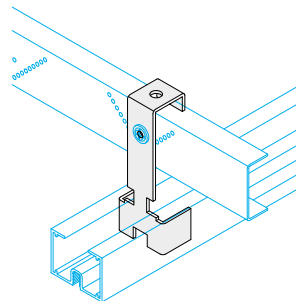
TCA 0313

Descriptor **C-Profile Extrusion Bracket for Emac Channel to suit**
Item No **40282**



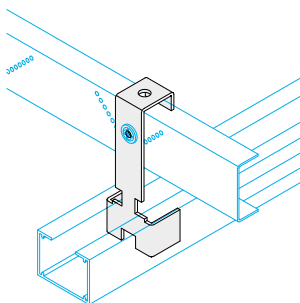
TCA 0314

Descriptor **C-Profile Extrusion Bracket for Emac Channel to suit**
Item No **40282**



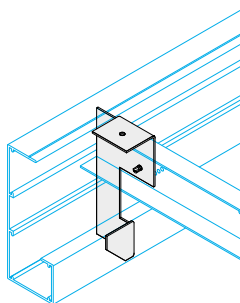
TCA 1182

Descriptor **C-Profile Extrusion Bracket for Emac Channel to suit**
Item No **40282**



TCA 0637

Descriptor **J-Profile Extrusion Bracket for Emac Channel to suit**
Item No **250083**



All dimensions are in mm.